

# KEEL COOLER SYSTEMS



## D.C. REFRIGERATION

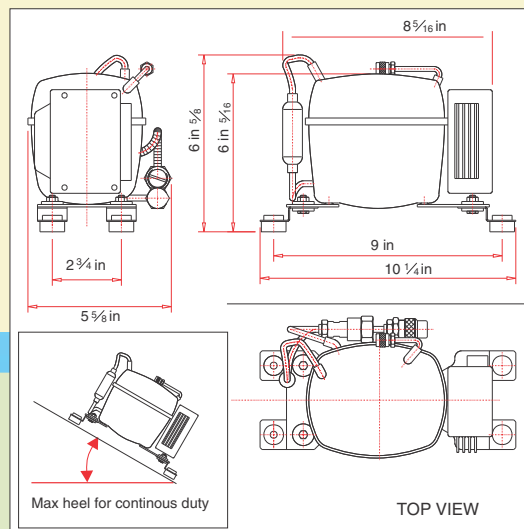
### K 50

#### COMPRESSOR

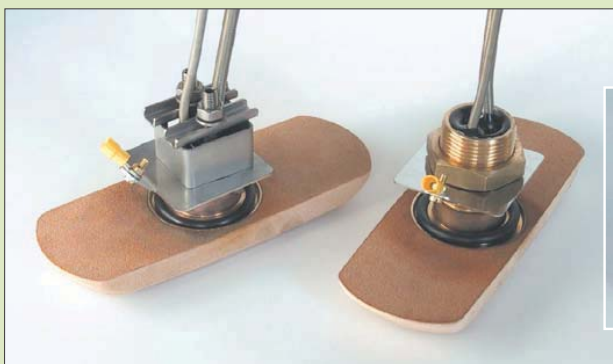
- Water cooling with keel cooler saves more than 30% compared to air cooling.
- Keel cooler eliminates the need of independent sea water pump.
- Danfoss BD50 compressor with electrical consumption 50% lower than earlier compressor concepts.
- Extremely compact dimensions.
- Maximum efficiency.
- Precharged system equipped with Frigoboat self sealing couplings.
- Configuration with evaporators for fridges up to 15 cu. ft. and freezers up to 5 cu. ft.
- Automatically runs on 12 or 24 volts.
- Automatic battery protection.
- **No Pump, No Fan, No Noise!!!**
- Can be used with Guardian and/or Merlin



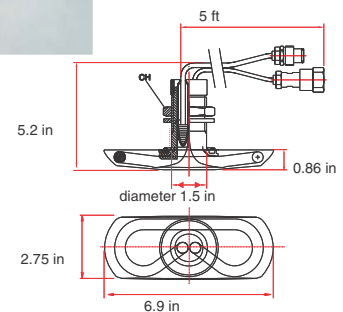
Part N. VE-E51975



#### KEEL COOLER



MAX DISTANCE FROM COMPRESSOR TO KEEL COOLER 5 FT



- Available with either thread (**VE-E50361**) or stud (**VE-E50722**) mounts.
  - Also available with zincs: Thread (**VE-E50361Z**) Stud (**E50722Z**) (zincs not required on boats with bonding systems)
- Constructed in marine grade bronze and cupro-nickel.

