



We are passionate about delivering
quality, innovation and **service**



Leading marine systems

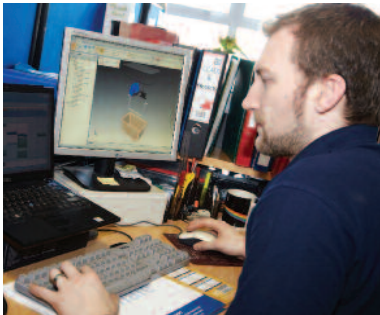
High quality freshwater, bilge, waste, washdown,
fishbox pump systems, quick connect plumbing,
and water heating products

A manufacturer with people, innovation and service at heart.



Quality

Every product,
fully tested, every time



Innovation

Award winning designs



Service

Tried and tested,
trusted for decades

'At Whale, we consistently strive to provide customers with innovative market leading products and professional proactive support services.'

Whale Senior Management Team

Index

Company Overview 3-11

Electric Bilge Pumps

Automatic Range

Supersub Smart 12-13

Automatic narrow low profile pump range

Orca Auto 1300 14-15

Compact, powerful and automatic bilge pump

Bilge IC 16-17

Pre-wired remote pump kit with intelligent control

Standard Range

(For use with a separate bilge switch)

Supersub 18-19

Narrow low profile pumps

Orca 20-21

Compact and powerful electric bilge pumps

Gulper 320 22-23

Remote mount bilge pump

Manual Bilge Pumps

Diecast Aluminium Alloy Range

(For extra long life)

Gusher 10 26-27

Gusher 30 28-29

Polypropylene Range

(Tough lightweight range)

Gusher Urchin 30-31

Gusher Titan 32-33

MK5 / MK5 Double Acting 34-35

Compact Range

Compac 50 36-37

Smartbail 38-38

Bilge Accessories 40-43

Switches, pipework fittings, non-return valves, strum boxes / strainers

Deck Plates 42

Freshwater

Electric Galley Pumps

Watermaster® 46-47

NEW Double Stack 48-49

High Capacity Freshwater System

Accumulator Kit 50-51

Expansion tank and pressure pump range

Submersible 52-53

Impeller pump range

Inline Booster 54-55

Impeller pump range

Manual Galley Pumps

Hand operated pumps

V Pump 56

Flipper 57

Foot operated pumps

Gusher Galley 58

Babyfoot 59

Faucets / Showers

Elegance Faucet Range 62

Interior Showers 63

Deck / Transom Showers

Twist Deck Shower 64-65

With unique integrated temperature and flow controls

Swim 'n' Rinse Showers 66-67

Fresh Accessories 68

Filters, pressure switch surge damper, pipework fittings

Water Heaters

12 V Water Heater 72-73

Water Heaters 74-75

Washdown

Saltwater Washdown 78-79

Pump and trigger kits

Portable Pump Kit 80

Locker Doors 81

Plumbing

Quick Connect Plumbing 82-85

Pipework and fittings

Grey Waste

Electric Grey Waste Pumps

Grey IC 88-89

Intelligent control kit for multiple drains

Gulley IC 90-91

Intelligent control kit for single drains

Gulper 320 92-93

High capacity waste pump for fast drainage / multiple drains

Gulper 220 94-95

Non-clog grey waste pump

Grey Waste Tanks

NEW Grey Waste Tank Range 96

Grey Waste Tank and Pump Systems 98

High Capacity Shower 100

Sink Waste System

Shower Sink/Waste System 101

Grey Waste Accessories 102-103

Pipework fittings, non-return valves, strum boxes / strainers

Fishbox / Livewell

Electric Pumps Range

NEW Gulper Grouper 106-107

Gulper 320 108-109

Black Waste

Electric Pumps

Gulper Toilet Pump 112-113

Non-choke electric black waste pump

Manual Pumps

Mk V Sanitation 114-115

Manual waste pump

Black Accessories 116-117

Diverter valves, Y pieces, elbows, Non-choke valves, and skin fittings

Whale Support

Where to Buy

Support - Contact us

118 - 119

122



A contagious enthusiasm for innovation

*'Whale has led the way for many decades with **ground breaking** pump and water system designs through to recent **innovative leaps** in electronically controlled systems.*

*Our **forward thinking approach** is driven by dedicated people who exude a passion for delivering the best possible product and service for customers.'*



Patrick Roberts, Managing Director



Inside Whale

Whale® is a well - known brand with a reputation built on decades of high quality design expertise. Today, we supply marine customers around the world with innovative freshwater, bilge and waste pump and plumbing systems.

We are proud to design, manufacture and market Whale products and to export worldwide. We relish the opportunity to support our customers. We aim to provide best in class service from our base in Bangor, Northern Ireland, and through our worldwide distribution network.

Whale Trade Names

Whale®, Gusher®, Gulper®, Babyfoot® Whale Twist®, Deck Protect®, Smartbail®, Whale Watermaster®, Watermaster®, Whale IC® and Whale IC device® are registered trade names of Munster Simms Engineering Limited, Bangor, Northern Ireland, (trading as Whale).



WHALE SUPPORT

Our team is dedicated to providing excellent customer service and installation advice. Just call or email to speak to one of our technical advisors.

Whale - Support

tel: +44 (0)28 9127 0531
info@whalepumps.com whalepumps.com

Whale - Support (The Americas)

Tel: 1 616 897 9241
usasales@whalepumps.com whalepumps.com



Worldwide Distribution Network

Ensures that where Whale® products and spares are needed, they are available. See page 118 for your nearest official Whale distributor.

Boat Builder Partnerships

Our team includes highly skilled marine engineers who work in partnership with power and sailboat builders around the world. This collaboration delivers bespoke systems that are ideal for each builder, saving both time and money.

To discuss options for partnering with Whale, contact us today.

Shelf Ready Range for Retailers

Whale's retail products include a full range of spare parts. Our marketing team are happy to work with retailers to provide point of sale materials to help sell in store.

For more information contact us today.



Quality first, always excellent

Our production team combine the latest technology with best in class lab testing

Whale Production - Expertise and Technology

- **Expertise** - Latest lean manufacturing techniques applied by our skilled workforce.
- **Production** - Many staff with over 20 years of experience building Whale products.
- **Technology** - Our testing laboratory runs a programme of extended life testing, datalogging and trend analysis on all existing and new products. This ensures consistently robust products designed to withstand the harsh marine environment.

High Quality Manufacturing

- **Reassurance**
100% of products are tested as part of the build process
All finished goods stock is batch tested
- **Integrity of components**
Our in house injection moulding facility uses 100% virgin materials.

The Whale Drive for Quality

Skilled hands on Engineering and Quality teams

- Latest testing, datalogging and lean manufacturing.



Whale Proud Heritage

A Reputation for Reliability

In 2010, Whale celebrated 200 years since our foundation. Since the 1940's we have been developing bilge, freshwater and wastewater products known for their quality and innovation. This tradition proudly continues today with our latest products.



From the foundations of bilge pump design

During the 30s and 40s, Whale developed a range of high quality marine brass pumps fitted in naval and fishing fleets, and then into leisure marine applications in the 70s and 80s.

Reputation for robust design and reliability

Today we use this solid foundation to continue to develop robust manual pumps, as well as leaping forward with the latest electronically controlled water and waste systems.



Whale IC Innovative Future

Latest technology

Innovative electronic circuitry lies at the heart of every Whale IC pump system

- *Simple, fast installation*
- *Longer system life*
- *Whale's best boater experience ever*
- *Expertise in electronics*



Whale Support

UK

tel: +44 (0)28 9127 0531
info@whalepumps.com
whalepumps.com

USA

Tel +1 616 897 9241
usasales@whalepumps.com
whalepumps.com



Award winning designs, Whale's proven pioneering technology has led the way for decades



Award winning product design

There are heroes of innovation in all areas of our business from product manufacturing to design through to customer service. Our award winning product designs are the result.

Through the decades, Whale® has pioneered a stream of innovation from the early brass pumps to the market leading Gusher® manual bilge pumps and Gulper® electric waste pumps. Whale's new products such as Twist deck shower and Supersub Smart pumps and Intelligent Control range have all been recognized by the marine industry innovation awards.

Over the last 8 years, 20 world-wide design patents have been registered, driven by a true culture of innovation within the business. Today Whale® remains at the leading edge of engineering technology with a strong design team using state of the art CAD, software development, data-logging and rapid prototyping equipment.

'I lead a team of really skilled and creative design engineers. As a team we have a strong set of core engineering competencies such as mechanical pump and electronic design.'



Richard Bovill, Engineering Director



QUALITEC TECHNOLOGY AWARD





Complete System Management

Marine Product Range

WASHDOWN

Whale's high flow washdown pump range and ergonomic trigger-spray handset deliver great performance to washdown your deck.

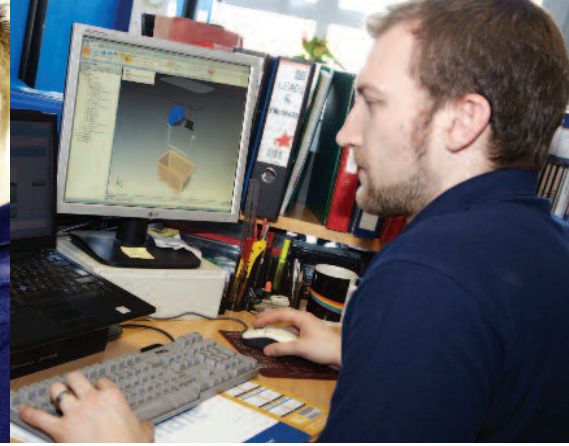


BILGE

We have been putting safety and reliability first for more than 60 years, and today our wide product range includes both robust electric and manual bilge pumps as well as a full range of high quality accessories.

PLUMBING

The marine world's first all plastic quick connect plumbing. Save time and money - fast installation with a wide range of fittings. The Whale Quick Connect fittings ensure a high integrity, reliable, plumbing system solution, specifically designed for use in mobile applications.



FRESHWATER

Our freshwater range includes the highest quality range of marine grade electric and manual pumps, a wide range of faucets, showers, filters and accessories.

GREY / SHOWER WASTE

Whale's Gulper pumps for shower / grey waste have led the way for more than 20 years in durability and non-clog valve technology - truly a fit and forget solution for shower waste. The wide range includes pumps and tanks and pre-assembled kits for managing shower waste on board.



FISHBOX / BAITWELL

The Gulper Grouper range handles fish waste and can run dry with no risk of motor burn out.

BLACK WASTE

Whale's manual and electric black waste pumps and accessories ensure reliable waste management where you really need it.

Contact us today for information on our products and your specific installation needs.



Whitak
Supersut
Smart 850
ISO 9001
ISO 14001
CE

Whale - Electric Bilge Pump Range

From the Experts in Bilge Pumps



Leaders in bilge pumps for more than 60 years

- Award winning new automatic pumps
- Narrow low profile pumps ideal solutions ideal for confined bilges

Automatic Electric Bilge Pump Range



No separate electric bilge switch needed

- Whale Supersub Smart - Narrow low profile automatic submersible pumps - Page 12 - 13
- Orca Auto - Compact, powerful and automatic high capacity submersible pump - Page 14 - 15
- Bilge IC - Remote mount complete automatic system - Page 16 - 17

Standard Submersible Bilge Pump Range

For use with separate electric bilge switch

- Supersub Standard - Narrow low profile submersible pumps - Page 18 - 19
- Orca compact and powerful submersible pumps widest range Page 20 - 21
- Gulper® 320 - Remote mounted bilge pump - Page 22 - 23

Accessories

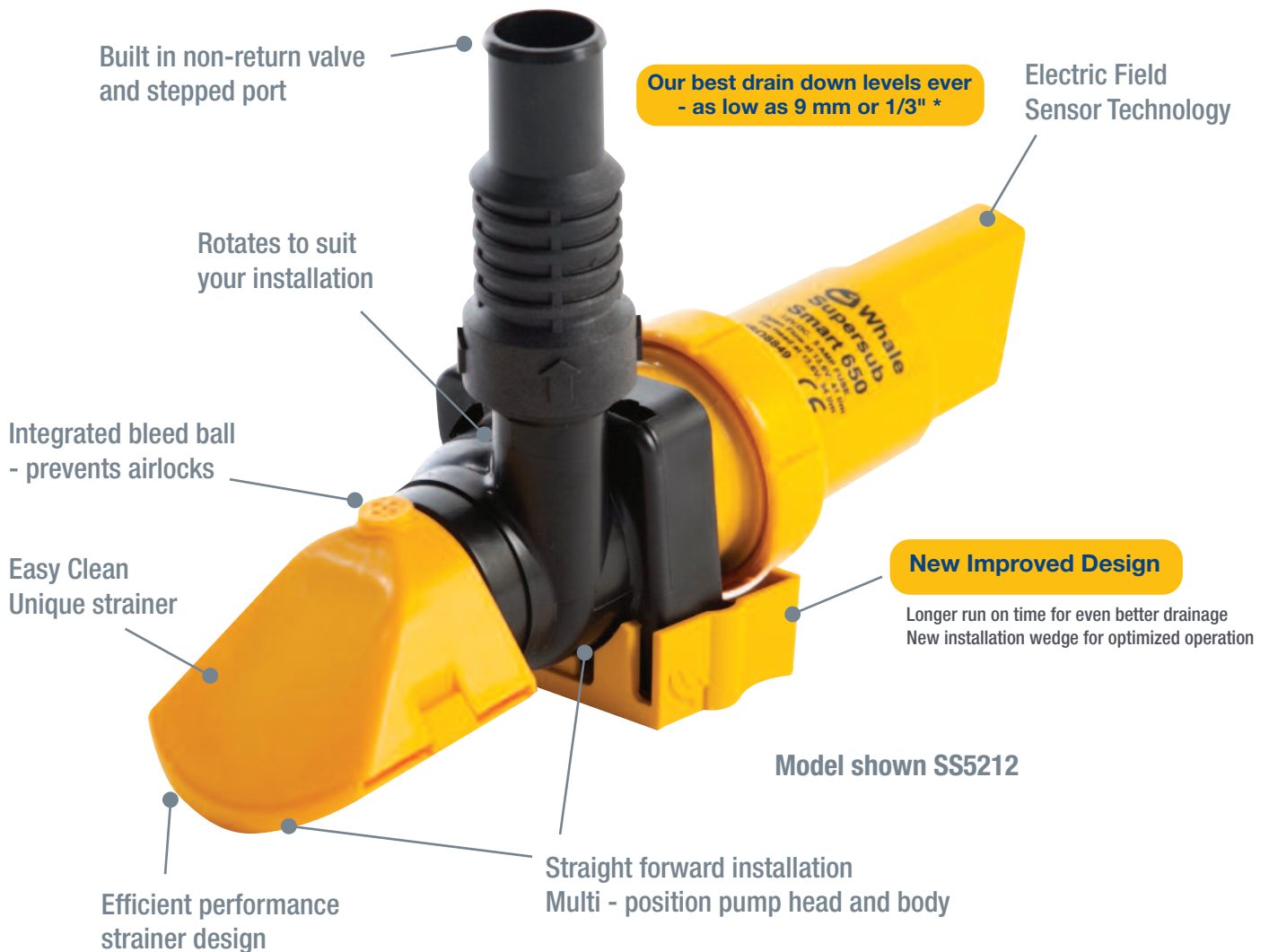
Complete the system with electric bilge switches, non-return valves, pipework fittings - Page 40 - 43

Supersub Smart Family



The original award winning low profile narrow automatic electric bilge pump proven over 20 years

Fits deep down in confined bilge areas, under engines or cockpit floors



Please note:- drain down level is installation dependent
- figures stated are based on typical installation Whale laboratory tests



Fits Deep In The Bilge Where Other Pumps Can't Reach

- No separate bilge switch required
- High flow rates - Available in 650 and 1100 US GPH models
- Retrofittable - now with angled mounting bracket to aid installation**
- Unaffected by wave motion - optimized on/off timings prevent run on
- Environmentally friendly - mercury free
- Includes manual override facility
- Solid state switching - no moving parts
- Suitable for use with fresh or salt water

3 Year Warranty

Tips

- Easy clean
- unique clever strainer design
 - easy to remove and replace for cleaning

Awards and Accreditations

- Qualtec award
 - Menzione Speciale
- NMMA Innovation Award
 - Honourable Mention
- CE Certified



QUALITEC TECHNOLOGY AWARD

Approvals and Standards

- Conforms to ISO 8849 and ISO 15083
- Ignition protected per ABYC and USCG standards
- NMMA type accepted



Product Information

Model Specifications

Model Product Code	Supersub Smart - Low Profile Automatic Bilge Pump		
	SS5212 With barbed connection	SS1212 With non-return valve	SS1224 With non-return valve
Open Flow Rate	650 GPH (40 ltrs/min) @ 13.6 V d.c.	1050 GPH (66 ltrs/min) @ 27.2 V d.c.	1050 GPH (66 ltrs/min)
Flow Rate @ 1m Head	550 US GPH (34 ltrs/min)	750 GPH (47 ltrs/min)	750 GPH (47 ltrs/min)
Nominal Voltage	12 V d.c.	12 V d.c.	24 V d.c.
Current Draw	3.4 amps	5 amps	2.2 amps
Recommended Fuse Size	5 amp automotive	5 amp automotive	2.5 amp automotive
Wire Size (Caulked Wire)	1.5 mm (16 AWG)	1.5 mm (16 AWG)	1.5 mm (16 AWG)
Weight	0.326 kg (0.71 lbs)	0.45 kg (0.99 lbs)	0.45 kg (0.99 lbs)
Maximum Discharge Head	3 m (10 ft)	3 m (10 ft)	3 m (10 ft)
Hose Connections	19 mm (¾") / 25 (1") Stepped port	25 / 28 mm (1" - 1 ¼") Stepped port	25 / 28 mm (1" - 1 ¼") Stepped port
Materials	Pump Body; polypropylene, high temperature ABS, fully potted circuitry. Locking Ring; acetal, Impeller; Glass filled polypropylene Seals; Nitrile®, Fasteners; stainless steel.		
Overall height	75 mm (3")		75 mm (3")
Overall Width	54 mm (2 ¼")		54 mm (2 ¼")
Overall Length	212 mm (8 ⅝")		240 mm (9 ½")

Note: For wiring advice on your installation, please contact Whale.

These specifications are retail items only.

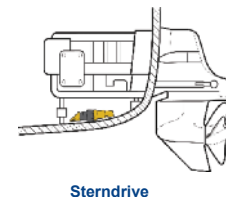
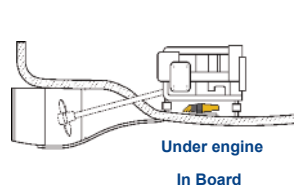
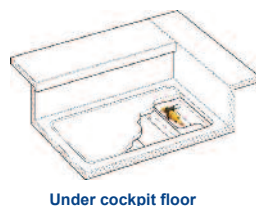
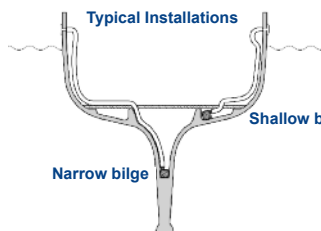
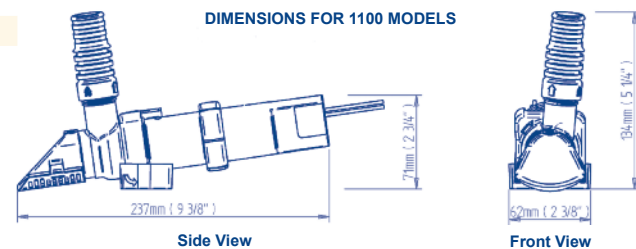
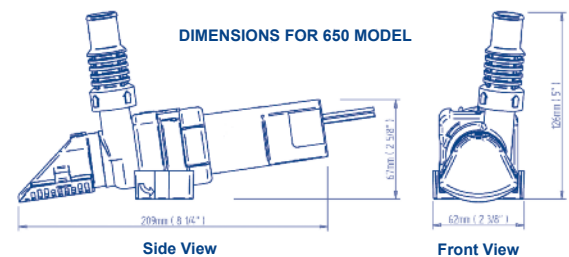
For details of our bulk pack range for boat builders and wholesalers - contact Whale Support.

Flow rates quoted are based on Whale laboratory tests without a non-return valve included.

*Based on Whale laboratory testing 2015. Performance may vary in different installations.

COMPLETE YOUR SYSTEM

Whale high quality bilge accessories including elbows and y pieces. Page 40 - 43



Orca Auto 1300



Compact, powerful and automatic

Submersible bilge pump design ensures maximum surface area exposure to bilge water - no separate bilge switch required

Integrated Electronics
Fully potted IC Built in intelligent control.
Microprocessor electronics sealed for protection against water ingress

Fully Protected
Robust housing fuel resistant ABS



Easy Install
25 mm (1"), 28 mm (1 1/8") stepped connection ports to suit your installation

Efficiency
Maximum area exposed to bilge water

Product code: see table

High Performance - 1300 US gals/hr flow rate

- Simple to install - built in automatic sensor
- No separate bilge switch is required
- Long battery life - low amp draw
- Neat fit in compact bilge areas
- ABS fuel - resistant housing
- Efficient - large filter ensures maximum surface area exposed to bilge water

1 Year Warranty

Awards and Accreditations

- Conforms to ISO 8849
- CE certified

COMPLETE YOUR SYSTEM

Bilge system accessories including non - return valves, elbows and y pieces. Page 40 - 43

YOU MAY ALSO LIKE

Supersub Smart

- Narrow low profile automatic electric bilge pumps - page 12

Bilge IC

- The remote mounted pre-assembled bilge pump kit with Intelligent Control built in - page 16



Product Information

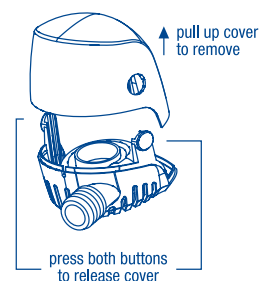
Model Specifications

Model	Whale Orca Auto 1300	
	BE1482	BE1484
Nominal Voltage	12 V d.c.	24 V d.c.
Open Flow Rate	1300 US GPH (82 ltrs/min) @ 13.6 V d.c.	1300 US GPH (82 ltrs/min) @ 27.2 V d.c.
Flow rate at 1m (3ft) head	1100 GPH (65 ltrs/min)	1100 GPH (65 ltrs/min)
Current Draw	5 amps	2.5 amps
Recommended Automotive Fuse Size	7.5 amps	5 amps
Weight	0.9 kg (2 lbs)	
Hose Connection	Stepped ports 25 mm (1") and 28 mm (1 1/8")	
Wire Size	16 AWG x 1 m (3 ft)	
Maximum Discharge Head	4.5 m (14.8 ft)	
Overall Height	129 mm (5.1")	
Overall Width	168 mm (6.6")	
Overall depth	121 mm (4.8")	
Materials	Pump Body- ABS, Seals: Nitrile®, Impeller: Acetal	

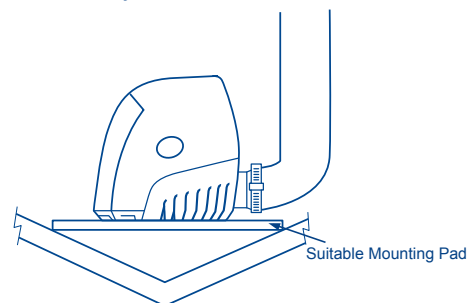
Note: For wiring advice on your installation, please contact Whale.

These specifications are retail items only. For details of our bulk pack range for boat builders and wholesalers - contact Whale Support

Registered design 000672216



Easy maintenance



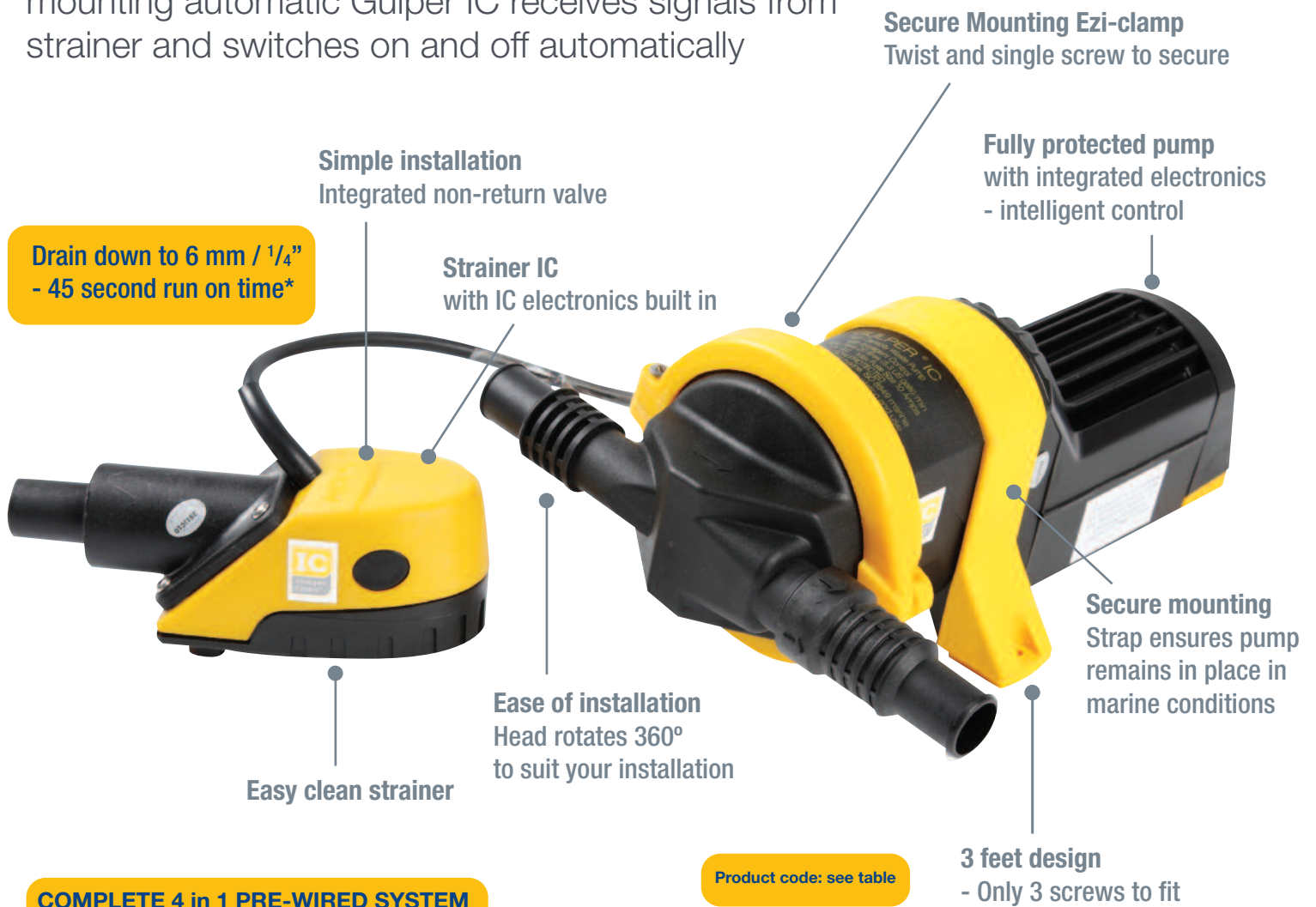
Typical Installation

Bilge IC



Pre-wired easy access remote mounted bilge system (4 in 1) with automatic intelligent control

Save time and money by reducing four separate components to one pre-wired system. Remote mounting automatic Gulper IC receives signals from strainer and switches on and off automatically



Drain down to 6 mm / 1/4"
- 45 second run on time*

Simple installation
Integrated non-return valve

Strainer IC
with IC electronics built in

Secure Mounting Ezi-clamp
Twist and single screw to secure

Fully protected pump
with integrated electronics
- intelligent control

Secure mounting
Strap ensures pump
remains in place in
marine conditions

Ease of installation
Head rotates 360°
to suit your installation

Easy clean strainer

3 feet design
- Only 3 screws to fit

Product code: see table

COMPLETE 4 in 1 PRE-WIRED SYSTEM

Complete your system intelligent pump, strainer, non-return valve and intelligent digital switch in one

* Please note:- drain down level is installation dependent
- figures stated are based on typical installation Whale laboratory tests

Why Bilge IC?

- Pre-wired and assembled
- Remote mounted pump for easy inspection
- Soft start - protects the pump for long life
- Small footprint strainer fits into very confined bilge spaces
- Low current controlled switching - no switch failure from high currents
- On/off delay - prevents cycling
- Environmentally friendly - no mercury
- Time delay to allow for optimum drainage
- Override wire included to allow for manual activation

3 Year Warranty

Tips

It is important to ensure that a vented anti-syphon loop is incorporated in the system

Awards and Accreditations

- Conforms to ISO 8849 and ISO 15083
- Ignition protected per ABYC and USCG standards
- CE certified
- EMC compliant
- NMMA type accepted



COMPLETE YOUR SYSTEM

For bilge system accessories- see page 40 - 43

YOU MAY ALSO LIKE

Grey IC and Gulley IC - Automatic Grey waste pump kits with automatic intelligent control built in - see pages 86 and 88



Product Information

Model Specifications

Model	Bilge IC	
	SI8284	SI8484
Product Code	SI8284	SI8484
Voltage	12 V d.c.	24 V d.c.
Voltage Range	10 to 13.6 V d.c.	21.6 to 27.2 V d.c.
Recommended Automotive Fuse Size	10 amps	5 amps
Minimum Wire Size	1.5 mm ² (16 AWG)	
Cable Length	4 m (12 ft)	
Current Profile	Soft start / stop	
Weight	2.6 kg (6.5 lbs)	
Current Draw on Standby	Low power 0.01 Amps supply	
Maximum Suction Lift	3 m (10 ft)	
Maximum Discharge Head	3 m (10 ft)	
Lift/head Combined	4 m (12 ft)	
Hose Connections	Gulper® IC - Barbed connections, 3/4" (19 mm) or 1" (25 mm) Strainer IC - 3/4" (19 mm)	
Port Orientation	Horizontal (Easily changed to vertical)	
Connectors	IP68, Waterproof Quick Connect 7 way (directly onto Gulper® IC)	
Materials	Pump Head: Glass-filled Nylon, Valves - Nitrile®, Diaphragm: Santoprene®	
Materials in Contact with Fluid	Glass-filled Nylon, Nitrile®, Santoprene®	
Service Kits	AK2050 – Replacement Pump Head (available separately)	
Run on Time	45 seconds	

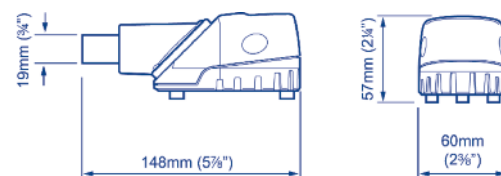
Performance Data

	0 m	0 m	1 m (3 ft)	1 m (3 ft)
Suction Lift	0 m	0 m	1 m (3 ft)	1 m (3 ft)
Discharge Head	1 m (3 ft)	1 m (3 ft)	1 m (3 ft)	1 m (3 ft)
Hose Size	3/4" (19 mm)	1" (25 mm)	3/4" (19 mm)	1" (25 mm)
Flow Rate/Minute	300 US GPH (19 ltrs/min)	276 US GPH (17.5 ltrs/min)	270 US GPH (17.4 ltrs/min)	246 US GPH (15.5 ltrs/min)
Current Draw (12 V d.c.)	7.5 amps	8 amps	7.5 amps	8 amps
Current Draw (24 V d.c.)	3.25 amps	4 amps	3.25 amps	4 amps

Note: Maximum vertical lift not more than 3m (10ft)

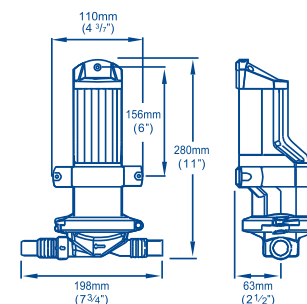
Note: For wiring advice on your installation, please contact Whale.

Note: These specifications are retail items only. For details of our bulk pack range for boat builders and wholesalers - contact Whale Support



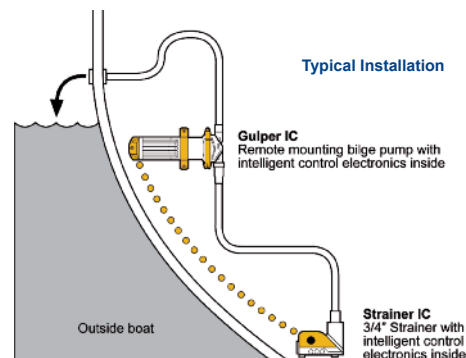
Side View

Front View



Plan View

Side View



Typical Installation

Supersub Family

Narrow low profile standard submersible bilge pumps now with higher capacity models. Designed for use with separate bilge switch

Supersubs fit deep down in small or awkward bilge spaces where other pumps won't



500

650

1100

Widest Range Ever

Simple plumbing
- ports can be rotated to suit your installation
650 and 1100 models include stepped ports

Integrated bleed ball
- prevents airlocks

Efficient operation
- low profile strainer

Long term reliability
- Extra long wires for integrity

Versatile installation
- Multi-position pump head and body

Easy maintenance
- Unique easy to clean strainer

Drains to down 9 mm (1/3")*

This product is protected by the following granted patents:
United States Patent No. US 6,174,146; and United Kingdom Patent No. GB 2 328 719.

*Please note:- drain down level is installation dependent
- figures stated are based on typical installation Whale laboratory tests

Low Narrow Design for Confined Bilge Spaces

- Easy installation - Outlet and pump body rotate to suit your installation
- High performance
- Efficient operation
 - Very low power consumption
- Easy to clean - Snap fit assembly
- Low profile strainer
 - Leaves the bilge almost dry



Product Information

Model Specifications

Model	Supersub 500 (12 V d.c.)	Supersub 650 (12 V d.c.)	Supersub 1100 (12 V d.c.)	Supersub 1100 (24 V d.c.)
Product Code	SS5012	SS5022	SS1012	SS1024
Open Flow Rate	500 US GPH (32 ltrs/ min) @ 13.6 V d.c.	650 US GPH (40 ltrs/min) @ 13.6 V d.c.	1050 US GPH (66 ltrs/ min) @ 27.2 V d.c.	
Flow Rate at 1M (3ft) head	400 US GPH (25 ltrs/ min)	550 US GPH (34 ltrs/min)	750 US GPH (47 ltrs/ min)	
Nominal Voltage	12 V d.c.		12 V d.c.	24 V d.c.
Current Draw	2.4 amps		4.3 amps	2.2 amps
Recommended Fuse Size (Automotive)	5 amps		5 amps	2.5 amps
Weight	270g (0.6 lbs)		400g (0.9 lbs)	
Hose Connections	19 mm (¾")	19 mm (¾") 25 mm (1") stepped ports	25 mm / 28 mm (1" / 1 1/8") stepped ports	
Minimum Wire Size	1.5 mm ² (16 AWG)			
Materials	Pump Body: Polypropylene, High Temperature ABS, Locking Ring: Acetal, Impeller: Glass-filled PBT, Seals: Nitrile®, Fasteners: Stainless Steel			
Materials In Contact With Fluid	Polypropylene, ABS, Glass-filled PBT, Nitrile®			
Accessories (available separately)	Electric bilge switches BE9003 and BE9006 - for all bilge accessories see page 40-43 Non return valve LV1219			
Non-return Valve Included	No	Yes	Yes	Yes

Note: For wiring advice on your installation, please contact Whale.

These specifications are retail items only.

For details of our bulk pack range for boat builders and wholesalers - contact Whale Support.

Please note: flow rates quoted are based on Whale laboratory tests without a non-return valve included.*Note: based on independent comparative submersible 500 GPH models test - Practical Boat Owner (August 2012 issue)

3 Year Warranty

Tips

It is important to ensure that a vented anti-syphon loop is incorporated in the system



Awards and Accreditations

- PBO tester's choice*
- CE certified

Approvals and Standards

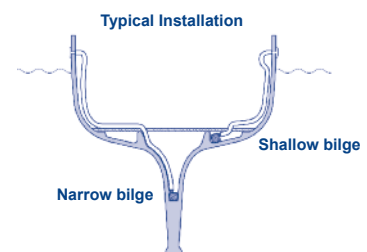
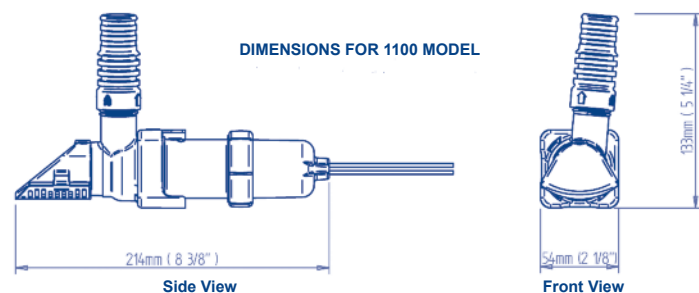
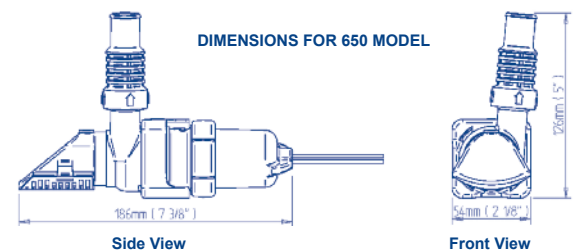
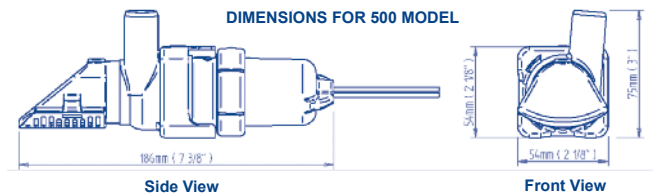
- Conforms to ISO 8849 and ISO 15083
- Ignition protected per ABYC and USCG standards.
- EMC compliant. NMMA type accepted

COMPLETE YOUR SYSTEM

See Page 40 - 43 for bilge system accessories

YOU MAY ALSO LIKE

Supersub Smart - The automatic range with built in intelligent control - no need for a separate bilge switch - page 12



Orca Electric Bilge Range

Compact and powerful electric bilge pump range designed for use with a separate electric bilge switch
Whale's widest range of electric submersible bilge pumps ever

Efficient design ensures maximum surface area exposure to bilge water, now available in higher capacity 2000 and 3000 models

Easy maintenance
- easy access to motor cartridge and filter

Easy release cover
- simply press both buttons and pull to release

Robust housing
- fuel resistant ABS

Efficiency
- large surface area ensures maximum area exposed to bilge water

Product code: see table

Lowest drain down 8mm / 1/3" *

Simple plumbing

500 models - 19 mm (3/4") ports
950, 1300 models - 25 mm (1") or 28.5 mm (1 1/8") stepped port connections
2000 models - 28.5 mm (1 1/8")
3000 models - 32 mm (1 1/4")

NEW Widest Range Ever



Versatile installation
- choose from multiple wire location options

*Please note:- drain down level is installation dependent
- figures stated are based on typical installation Whale laboratory tests

Compact Design, High Performance

- Simple installation
 - Multiple wire locations
- Low amp draw means long battery life
- Easy maintenance
 - Access to motor cartridge and filter area
- Available in a range of 5 flow capacities
 - 500, 950, 1300, 2000 and 3000 US GPH
- 2000 and 3000 models self clearing
 - prevent cavitation

3 Year Warranty

Awards and Accreditations

- Pumps meet ISO8849 marine standard
- CE certified

COMPLETE YOUR SYSTEM

Whale high quality bilge accessories including electric bilge switches, non-return valves, elbows and Y pieces. Page 40 - 43



BE9002 Floatswitch suitable for use with 12 V d.c. or 24 V d.c. pumps



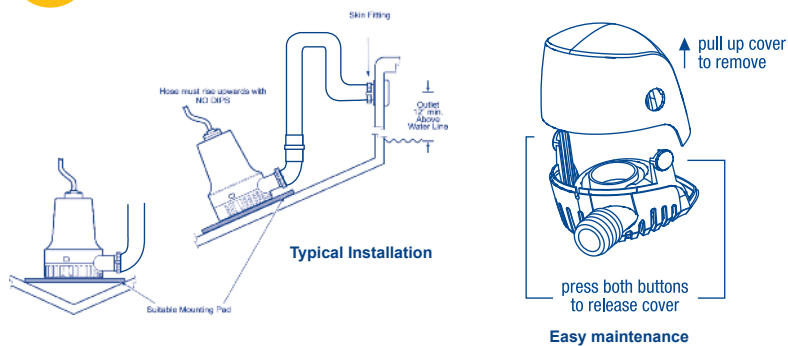
BE9003 Electric field sensor switch suitable for use with 12 V d.c. or 24 V d.c. pumps



1" / 1 1/8" check valve
3/4" / 1" check valve



Product Information



YOU MAY ALSO LIKE

Orca Auto 1300 - Compact, powerful and automatic submersible bilge pump - page 14

Supersub Smart Automatic narrow low profile submersible bilge pumps - page 12

Supersub - narrow low profile submersible bilge pumps (designed for use with a separate electric bilge switch) - page 18

Model Specifications

Model	500 US GPH	950 US GPH	1300 US GPH	1300 US GPH	2000 US GPH		3000 US GPH	
Product Code	BE0500	BE0950	BE1450	BE1454	BE2002	BE2004	BE3002	BE3004
Open Flow Rate	500 GPH (32 l/min) @ 13.6 V d.c.	950 GPH (59 l/min) @ 13.6 V d.c.	1300 US GPH (66 l/min) @ 13.6 V d.c.	1300 US GPH (82 l/min) @ 27.2 V d.c.	2000 US GPH (126 l/min) @ 13.6 V d.c.	2000 US GPH (126 l/min) @ 27.2 V d.c.	3000 US GPH (189 l/min) @ 13.6 V d.c.	3000 US GPH (189 l/min) @ 27.2 V d.c.
Flow Rate at 1m (3ft) head	450 GPH (28 l/min)	850 GPH (53 l/min)	1100 GPH (69 l/min)		1650 US GPH (104 l/min)		2700 US GPH (170 l/min)	
Nominal Voltage	12 V d.c.		12 V d.c.	24 V d.c.	12 V d.c.	24 V d.c.	12 V d.c.	24 V d.c.
Current Draw	1.5 amps	3.5 amps	5.0 amps	2.5 amps	10 amps	5.0 amps	18 amps	9 amps
Recommended Automotive Fuse	2.0 amps	5.0 amps	7.5 amps	5.0 amps	15 amps	7.5 amps	25 amps	15 amps
Weight	0.28 kg. (0.6 lbs)	0.45 kg. (1 lb)	0.82 kg. (1.8 lbs)		1.32 kg (2.9 lbs)		2.64 kg (5.82 lbs)	
Hose Connection	3/4" (19 mm)	1" / 1 1/8" (25/28.5 mm)	1" / 1 1/8" (25/28.5 mm)		1 1/8" (28.5 mm)		1 1/4" (32 mm)	
Wire Size	1.5 mm ² (16 AWG)							
Materials	Pump Body- ABS, Seals: Nitrile®, Impeller: Acetal							
Maximum Discharge Head	3 m (9.8 ft)	3.5 m (11.5 ft)	4.5 m (14.8 ft)		4 m (13 ft)		4.6 m (15 ft)	
Overall Height	83 mm (3.3")	109 mm (4.3")	129 mm (5.1")		165 mm (6.5")		195 mm (7.7")	
Overall Width	102 mm (4")	135 mm (5.3")	168 mm (6.6")		144 mm (5.7")		166 mm (6.5")	
Overall Depth	78.5 mm (3.1") \varnothing	103 mm (4.1") \varnothing	121 mm (4.8") \varnothing		120.5 mm (4.74") \varnothing		132 mm (5.1") \varnothing	

Registered design 000627716

Gulper® 320

Easy Access Remote Mount Bilge For protection and easy inspection

No clog, no filter waste pump built on more than a decade of market leading pump technology



Easy Access and Product Protection

- Meets requirement for primary bilge pump for boats up to 12 m (39.4 ft) length
- Ideal where bilge space is limited
- Long life high, dry and protected

3 Year Warranty

Awards and Accreditations

- ISO15083 Marine standard suitable as a primary bilge pump (for vessels up to 12m in length) or secondary bilge pump in accordance with ISO8849.
- Ignition protection ISO8846.
- CE marked.

COMPLETE YOUR SYSTEM

See page 40 - 43 for bilge accessories

YOU MAY ALSO LIKE

Bilge IC - Pre-wired Automatic Bilge System with Intelligent Control - page 16
Supersub Smart - Narrow low profile Automatic Electric Bilge Pumps with Intelligent Control - page 12



Product Information

Model Specifications

Model	Gulper® 320	
Product Code (retail)	BP2052 (includes 3/4" strainer)	BP2054 (includes 3/4" strainer)
Voltage	12 V d.c.	24 V d.c.
Hose Connections	3/4" (19 mm) + 1" (25 mm)	
Recommended Fuse Size	10 amp Automotive	5 amp Automotive
Minimum Wire Size	1.5 mm ² (16 AWG)	
Weight	1.6 kg (3.5 lbs)	
Materials	Pump Head: Glass-filled Nylon, Valves and Diaphragm: Santoprene®	
Accessories	SB3422 (19 mm) strainer (multi-directional port) Service Kit: AK2050 - replacement pump head	
Maximum Suction Lift	3 m (10 ft)	
Maximum Discharge Head	3 m (10 ft)	
Maximum Discharge Head and Suction Lift Combined	4 m (13.5 ft)	

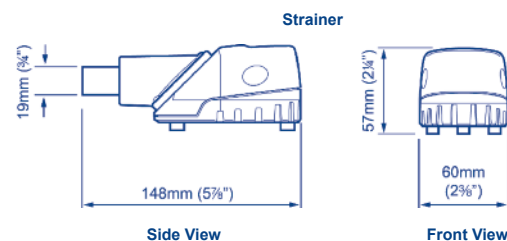
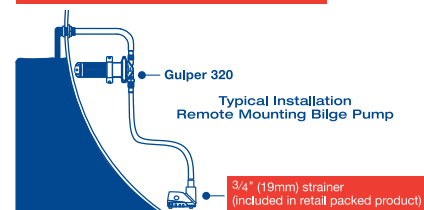
Performance Data

Product Code	BP2052 / BP2054			
Suction Lift	0 m	0 m	1 m (3 ft)	1 m (3 ft)
Discharge Head	1 m (3 ft)	1 m (3 ft)	1m (3 ft)	1 m (3 ft)
Hose Size	3/4" (19 mm)	1" (25 mm)	3/4" (19 mm)	1" (25 mm)
Flow Rate per Minute	19 ltrs (5 US Gals)	17.5 ltrs (4.6 US Gals)	17.4 ltrs (4.5 US Gals)	15.5 ltrs (4.1 US Gals)
Current Draw	7.5 amps (12 V d.c.) 3.25 amps (24 V d.c.)	8 amps (12 V d.c.) 4 amps (24 V d.c.)	7.5 amps (12 V d.c.) 3.25 amps (24 V d.c.)	8 amps (12 V d.c.) 4 amps (24 V d.c.)

Note: These specifications are retail items only.

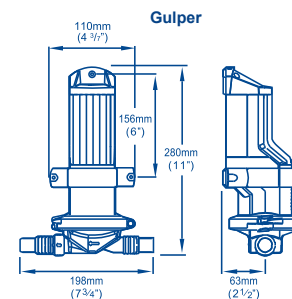
For details of our bulk pack range for boat builders and wholesalers - contact Whale Support.

EASY ACCESS FOR INSPECTION



Side View

Front View



Plan View

Side View



Whale - Manual Bilge Pump Range

Putting safety and reliability first for more than 60 years

The experts in manual bilge pumps
Up to 5 year warranty



Since the 1940s, Whale engineers have refined our manual bilge pump designs and completed extended life testing - the result? Whale's iconic manual bilge pump range. Pumps manufactured by hand using high grade materials based on more than 60 years experience.

Gusher® Range

Long Life Diecast Alloy Models

- Gusher 10 - Page 26 -27
- Gusher 30 - Page 28 - 29

Gusher® Range

Tough and Lightweight Polypropylene Models

- Gusher Urchin - Page 30 - 31
- Gusher Titan - Page 32 - 33
- Mark 5 and Mark 5 Double Acting - Page 34 - 35

Low Profile

Compact Range

- Compac 50 - Page 36 - 37
- Smartbail - Page 38

Accessories

Complete the system with electric bilge switches, non-return valves, pipework fittings - Page 40 - 43
Deck plates - Page 42

Note - Performance data quoted in this section is based on typical usage and Whale laboratory tests.
For information on our certifications, please contact Whale.

Gusher® 10

The original bilge pump choice for sailors in extreme conditions

Durable diecast alloy bilge pump
Top performance - 65 ltrs (17 US gals) minute, robust design stands up to the toughest marine conditions



Robust Design Stands Up To The Toughest Marine Conditions

- Top performance
 - 65 ltrs (17 US gals) per minute
- Mounting options On Deck / Bulkhead, Thru deck
- Designed for simple installation and maintenance
- Efficiency - Large non-choke valves
- Ideal for workboats, cruisers, offshore racing
- Easy pump action - Self priming
- Typical uses
 - Bilge pump out / holding tank pump out

5 Year Warranty

Awards and Accreditations

Suitable as a primary bilge pump on boats equal to or greater than 12 m (40 ft) in accordance with ISO15083

COMPLETE YOUR SYSTEM

Whale high quality bilge accessories including non-return valves, elbows and Y pieces see page 40 - 43



Gusher 10 Mk3
Standard
BP3708

Gusher 10 Mk3
Thru Deck/Bulkhead
BP3740

i Product Information

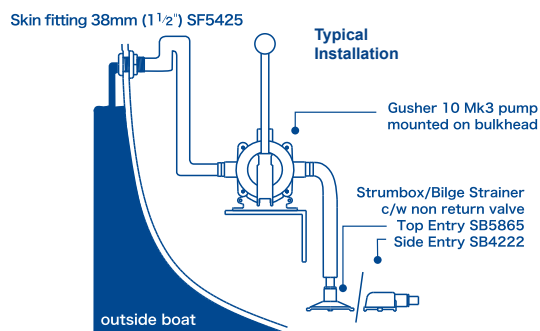
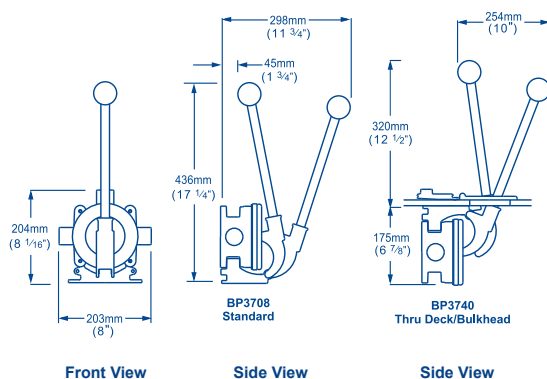
Model Specifications

Model	On Deck / Bulkhead	Thru Deck / Bulkhead
Product Code	BP3708	BP3740
Weight	2.3 kg (5 lbs)	
Hose Connections	38 mm (1½") Smooth Hose Connections	
Materials	Pump Body: Marine Grade LM6 Aluminium Alloy (epoxy coated) Diaphragm: Neoprene (Nitrile® option available) Fasteners: Stainless Steel	
Materials Contact With Fluid	Marine Grade LM6 Aluminium Alloy (Epoxy Coated) Neoprene, Nitrile®, Stainless Steel	
Service Kits	AK3706 - Neoprene Parts AK3714 - Nitrile® Parts for Oil and Diesel Contains: Diaphragm, Valves, Seals	
Accessories	DP3804 - Alloy Deck Plate DP8904 - Plastic Deck Plate Lid AS4405 - Spare Handle	
Maximum Suction Lift	4 m (13.5 ft)	
Maximum Discharge Head	4 m (13.5 ft)	

Performance Data

Product Code	BP3708 / BP3740	BP3708 / BP3740
Suction Lift	1 m (3 ft)	2 m (6 ft)
Discharge Head	0.5 m (1.5 ft)	0.5 m (1.5 ft)
45 Strokes per Minute	41 ltrs (11 US gals)	41 ltrs (11 US gals)
70 Strokes per Minute	65 ltrs (17 US gals)	65 ltrs (17 US gals)

Note: These specifications are retail items only.
For details of our bulk pack range for boat builders and wholesalers - contact Whale Support.



Gusher® 30

Whale's largest capacity manual bilge pump. Manufactured by hand using high grade materials based on more than 60 years experience. The heavy duty Gusher 30 is ideal when long term durability and high performance is vital.



Thru Deck
BP3020



On Bulkhead
BP3010

Long term reliability
fully protected diaphragms

Product Code: BP3000



Ease of use
easy grip handle

Ease of operation
extra long handle

Robust design
corrosion resistant, powder-coated,
die-cast aluminium alloy

Simple plumbing
38 mm (1½")
hose connections

Efficiency
high capacity double acting pump

Maximum Output - Delivering Over 117 Ltrs (31 US Gals) Per Minute

- Efficient operation
 - Double acting pumps on both to and fro strokes
- Reliability
 - Twin diaphragms ensure pump continues working if one is damaged
- Durability
 - Powder coated diecast aluminium alloy
- Easily pumps oily bilge water
- 3 mounting options
 - Available for deck, bulkhead or underdeck mount

5 Year Warranty

Tips

It is important to ensure that a vented anti-syphon loop is incorporated in the system



Awards and Accreditations

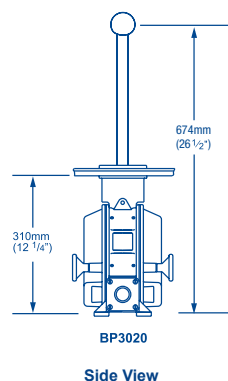
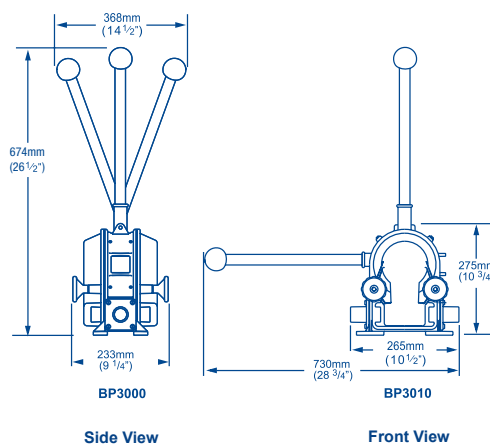
- Pump accepted on some vessels for use as an emergency fire pump
- Suitable as a primary bilge pump on boats equal to or greater than 12 m (40 ft) in accordance with ISO15083

Life Boats Approval

- Approved by Lloyds (MCA)

COMPLETE YOUR SYSTEM

Bilge accessories including non-return valves, elbows and Y pieces see page 40 - 43



Product Information

Model Specifications

Model	On Deck BP3000	On Bulkhead BP3010	Thru Deck Only BP3020
Hose Connections	38 mm (1 1/2") Hose Connections		
Weight	5.05 kg (11.1 lbs)		5.9 kg (13 lbs)
Materials	Pump Body: Marine Grade LM6 Aluminium Alloy (epoxy coated) Diaphragm: Neoprene, Bushes: Acetal, Handwheels: Nylon Fasteners: Stainless Steel		
Materials In Contact With Fluid	Marine Grade LM6 Aluminium Alloy (epoxy coated) Nitrile* Stainless Steel		
Service Kit	AK3051 - Service Kit for Gusher® 30 Contains: Diaphragms, Valves, Gasket AS3725 - Gaiter Kit - for use with BP3020 AS3016 - Handwheel / stud kit AS3015 - Lever Assembly		
Accessories	AS3095 - Spare Handle DP3804 Deckplate, AS3020 Deckplate Conversion Kit		
Maximum Suction Lift	4 m (13.5 ft)		
Maximum Discharge Head	4 m (13.5 ft)		

Performance Data

Product Code	BP3000 / BP3010 BP3020	BP3000 / BP3010 BP3020	BP3000 / BP3010 BP3020
Suction Lift	0	1 m (3 ft)	2 m (6 ft)
Discharge Head	0.5 m (1.5 ft)	0.5 m (1.5 ft)	0.5 m (1.5 ft)
45 Strokes per Minute	75 ltrs (20 US gals)	71 ltrs (19 US gals)	71 ltrs (19 US gals)
70 Strokes per Minute	117 ltrs (31 US gals)	111 ltrs (29 US gals)	111 ltrs (29 US gals)

Note: These specifications are retail items only.

For details of our bulk pack range for boat builders and wholesalers - contact Whale Support.

* If Neoprene diaphragm require please contact Whale Support

Gusher® Urchin

The ideal pump for confined space

Manufactured by hand using high grade materials based on more than 60 years experience



Ease of operation
moulded grip handle

Easy maintenance
easy remove clamp ring

Versatility of installation
removable clamping ring
for head rotation

Simple plumbing
25 mm (1") or 38 mm
(1½") smooth hose
connection options

Proven design
tough yet lightweight
polypropylene materials

Secure fit
robust moulded base

Compact design
ideal for confined spaces

Reliable performance
tricuspid outlet valve

On-Deck
Removable
Handle
BP9021

Thru-Deck or
Bulkhead
BP9013

Product code: BP9005

A Design That Has Been Tried Tested And Trusted By Sailors For Decades

- Ease of operation - Smooth action
- Clamp ring easily removed for pump head rotation and quick maintenance
- Versatility of design
 - Dual size nozzles for 25 mm (1") or 38 mm (1½") hose to suit your plumbing
- Efficient performance
 - up to 55 ltrs (14.5 US gals) per minute
- Three different mounting options (deck, bulkhead and thru deck models)

5 Year Warranty

Tips

It is important to ensure that a vented anti-syphon loop is incorporated in the system

Awards and Accreditations

- 25 mm (1") Hose connection - Suitable as a primary bilge pump on boats up to 12 m (40 ft) in accordance with ISO15083
- 38 mm (1½") Hose connection - Suitable as a primary bilge pump on boats equal to or greater than 12 m (40 ft) in accordance with ISO15083

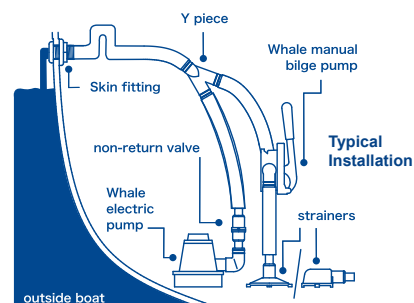
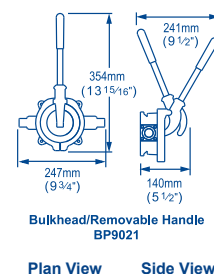
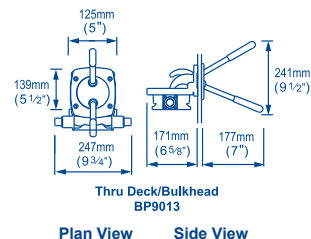
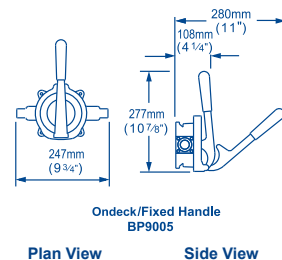
i Product Information

Model Specifications

Model	On Deck Fixed Handle	Thru Deck / Bulkhead	On Deck Removable Handle
Product Code	BP9005	BP9013	BP9021
Weight	0.6 kg (1.3 lbs)	0.96 kg (2 lbs)	0.7 kg (1.5 lbs)
Hose Connections	25 mm (1") or 38 mm (1½") Smooth Hose Connections		
Materials	Pump Body: Glass-filled Polypropylene, Clamp Ring: Acetal Diaphragm: Neoprene, (Nitrile® option available) Operating Lever BP9005: Glass-filled Nylon Handle (BP9021 and BP9013 only), Springs, Fasteners: Stainless Steel		
Materials In Contact With Fluid	Glass-filled Polypropylene, Nitrile®, Neoprene, Stainless Steel		
Service Kits	AK9003 - Neoprene Parts AK9011 - Nitrile® Parts for Oil and Diesel Contains: Diaphragms, Valves and Circlips AS9061 - Whale Gusher Urchin - Fork Assembly Under deck + Rh AS9062 - Whale Gusher Urchin - Clamp Ring Kit Std+Rh AS9066 - Whale Gusher Urchin - Clamping Plate Kit AS9064 - Gusher Urchin Thru Deck or Bulkhead Service Kit		
Accessories	AS8680 - Spare Handle (for BP9013 & BP9021 only) AS9060 Service Kit - Whale Gusher Urchin - Std Operating Lever Kit		
Maximum Suction Lift	4 m (13.5 ft)		
Maximum Discharge Head	3 m (10 ft)		

Performance Data

25 mm (1") Hose	BP9005 / BP9013 / BP9021	BP9005 / BP9013 / BP9021
Suction Lift	1 m (3 ft)	2 m (6 ft)
Discharge Head	0.5 m (1.5 ft)	0.5 m (1.5 ft)
45 Strokes per Minute	25 ltrs (7 US gals)	25 ltrs (7 US gals)
70 Strokes per Minute	43 ltrs (11.4 US gals)	40 ltrs (10.6 US gals)
38 mm (1½") Hose		
Suction Lift	1 m (3 ft)	2 m (6 ft)
Discharge Head	0.5 m (1.5 ft)	0.5 m (1.5 ft)
45 Strokes per Minute	37.5 ltrs (9.9 US gals)	36 ltrs (9.5 US gals)
70 Strokes per Minute	55 ltrs (14.5 US gals)	53 ltrs (14 US gals)



Note: These specifications are retail items only.
 For details of our bulk pack range for boat builders and wholesalers - contact Whale Support.

Gusher Titan

Tough and Lightweight Polypropylene Models

Combines powerful performance and lightweight design



**Thru deck/Bulkhead
BP4410**



**On deck
BP4402**

Proven design
- tough yet lightweight



Easy to use
ball handle



Multiple installation
- removable clamping ring
for head rotation

Simple plumbing
- 38 mm (1½")
smooth hose connections

Whale's Tough Lightweight Proven Pump - Tried tested and trusted by sailors for decades

- High flow rate: 105 ltrs (28 US gals) per minute
- Quick maintenance
 - Clamping ring is easily removed for pump head rotation
- Tough, lightweight proven design
- 2 mounting options - bulkhead and thru deck models
- Suitable for use on boats over 12 m (40 ft)

5 Year Warranty

Tips

It is important to ensure that a vented anti-syphon loop is incorporated in the system

Awards and Accreditations

- Suitable as a primary bilge pump on boats equal to or greater than 12 m (40 ft) accordance with ISO15083

COMPLETE YOUR SYSTEM

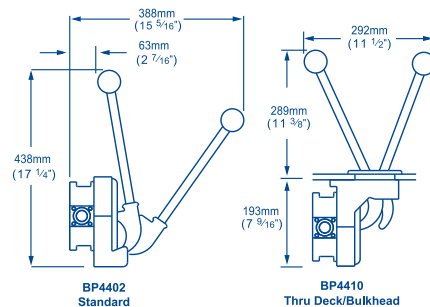
bilge accessories including non-return valves, elbows and Y pieces see page 40 - 43



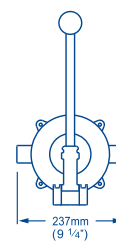
Product Information

Model Specifications

Model	On Deck	Thru Deck / Bulkhead
Product Code	BP4402	BP4410
Weight	1.5 kg (3.3 lbs)	1.85 kg (4.1 lbs)
Hose Connections	38 mm (1½") Smooth Hose Connections	
Materials	Pump Body: Glass-filled Polypropylene, Clamp Ring: Acetal Diaphragm and Valves: Neoprene, (Nitrile® option available) Operating Lever: Glass-filled Nylon, Gaiter: EPDM Fasteners: Stainless Steel	
Materials In Contact With Fluid	Glass-filled Polypropylene, Acetal, Neoprene, Nitrile®	
Service Kits	AK4400 - Neoprene Parts AK4419 - Nitrile® Parts for Oil and Diesel Contains: Diaphragm, Valves, Seals AK4400 - Whale Gusher Titan Neoprene (for on deck installations) - diaphragm, valves and fixings AK4419 - Whale Gusher Titan Nitrile® (for below deck installations) - diaphragm, valves and fixings AS4406 - Whale Gusher Titan - Standard Lever Kit AS4407 - Whale Gusher Titan - Standard Clamping Ring Kit AS4408 - Whale Gusher Titan - Operating Lever U/Deck AS4409 - Whale Gusher Titan - UnderDeck Clamping Ring Kit AS4412 - Whale Gusher Titan - Clamping Plate Kit AS3725 - Gaiter Kit For Deckplates (for underdeck models - Gusher 30 and 10, Titan, Urchin, MarkV)	
Accessories	DP8904 - Deck Plate Kit for BP4410 only AS4405 - Spare Handle	
Maximum Suction Lift	4 m (13.5 ft)	
Maximum Discharge Head	4 m (13.5 ft)	



Side View



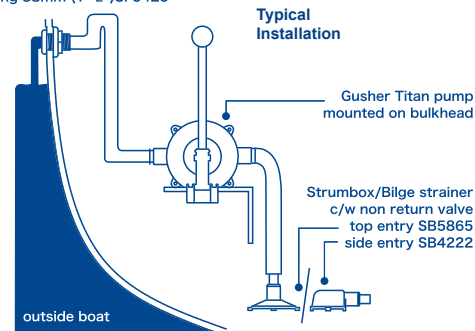
Plan View

Performance Data

Product Code	BP4402 / BP4410	BP4402 / BP4410
Suction Lift	1 m (3 ft)	2 m (6 ft)
Discharge Head	0.5 m (1.5 ft)	0.5 m (1.5 ft)
45 Strokes per Minute	67 ltrs (18 US gals)	65 ltrs (17 US gals)
70 Strokes per Minute	105 ltrs (28 US gals)	98 ltrs (26 US gals)

Note: These specifications are retail items only.
For details of our bulk pack range for boat builders and wholesalers - contact Whale Support.

Skin fitting 38mm (1½")SF5425

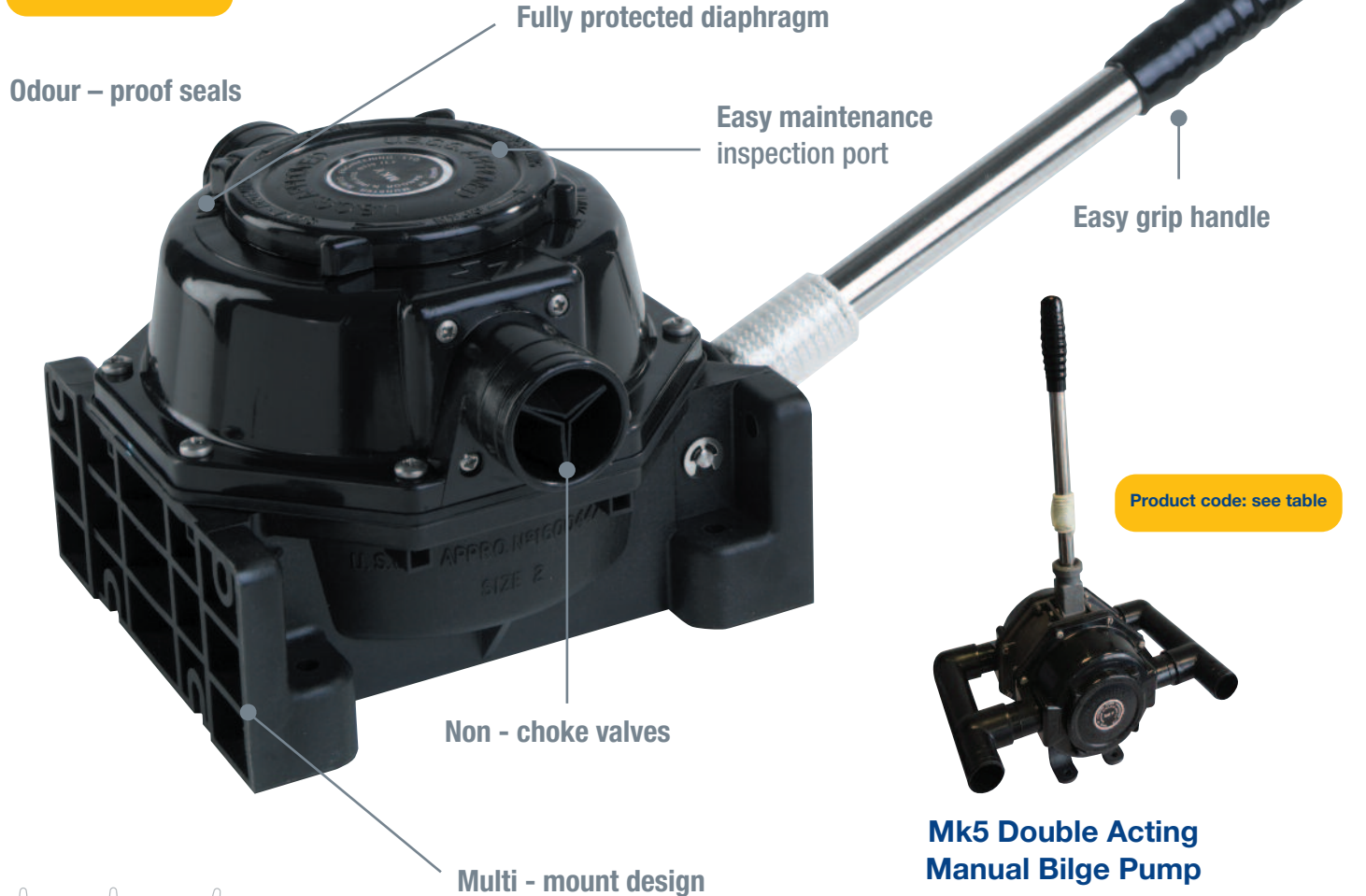


Mk5 Range

Tough proven, reliable designs available with single or double acting capabilities

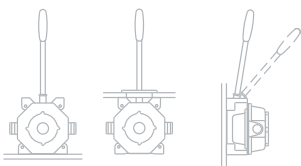
Whale's most versatile high performance pump design.
3 mounting orientations - 1 pump

Product code: see table



Mk5 Double Acting Manual Bilge Pump

High output - 104 ltrs (23 US gals) per minute
Twin diaphragms - empty 2 bilge compartments at the same time or one twice as quickly - 2 manifolds supplied



On-Deck Front view Thru-Deck Front view On-Bulkhead Side View
3 mounting options in 1 pump

Mk5 Universal

- Three mounting options. A design that has been tried tested and trusted by sailors for decades. This clever bilge pump design allows great versatility in installation so that you can fit the pump in the orientation to best suit your boat.
- Whale's most versatile high performance pump design
- 3 mounting orientations
1 pump (on-deck, thru-deck, on-bulkhead)
- High Performance - flow rate
66 ltrs (17.5 US gals) per min

Mk5 Double Acting

- High performance
- Ease of maintenance inspection hatch
- no tools required
- Will continue to pump even if one diaphragm fails

5 Year Warranty

Tips It is important to ensure that a vented anti-syphon loop is incorporated in the system

Awards and Accreditations

- Suitable as a primary bilge pump on boats equal to or greater than 12 m (40 ft) in accordance with ISO15083

Life Boats Approval

- Approved by Lloyds (MCA) and USCG (Mk5 Universal MCA - Size 2) (Mk5 Double Acting - Size 3)

Product Information

Model Specifications

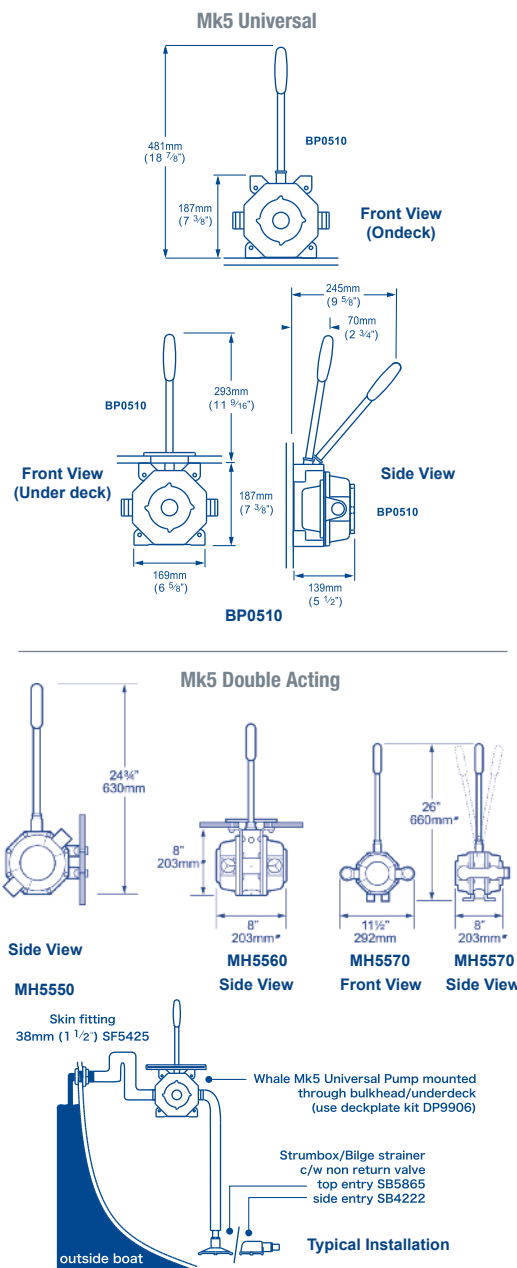
Model	Mk5 Universal Pump (Multiple Mounting Options)	Mk 5 - Double Acting Pumps		
Product Code	BP0510	MH5550 On bulkhead	MH5560 Thru deck	MH5570 On deck
Weight	1.36 kg (3.0 lbs)	2.8 kg (6 lbs)		
Hose Connections	38 mm (1½") Hose Connections			
Materials	Pump Body: Glass-filled Polypropylene, Diaphragm Valves and Seals: Nitrile®, Operating Lever: Acetal, Glass-filled Nylon Spring and Fasteners: Stainless Steel			
Materials In Contact With Fluid	Glass-filled Polypropylene, Acetal, Nitrile®, Stainless Steel			
Service Kit	Service Kits for Mk 5 AK8050 - Service Kit for Mk5 Contains: Diaphragms, Valves and Circlips AS0511 - Spare Handle AS0521 - rocker arm assembly AS0522 - Front cover / body assembly AS0531 - Under deck rocker arm assembly	Service Kits for Mk 5 D Acting AK8060 - Service Kit for Mk 5 D Acting - contains: Diaphragms, Valves and Circlips AS8551 - Rocker arm assembly AS8552 - Clamping plate and nut kit		
Accessories	AS3725 Gaiter Kit, DP9906 - Deck Plate Kit (includes cover)			
Maximum Suction Lift	4.5 m (15 ft)			
Maximum Discharge Head	4.5 m (15 ft)			

Performance Data

	Mk5 Universal Pump	Mk 5 - Double Acting Pumps
Suction Lift	1 m (3 ft)	
Discharge Head	0.5 m (1.5 ft)	
45 Strokes per Minute	42 ltrs (11 US gals)	64 ltrs (17 US gals)
70 Strokes per Minute	66 ltrs (17.5 US gals)	104 ltr (27.5 US gals)

COMPLETE YOUR SYSTEM

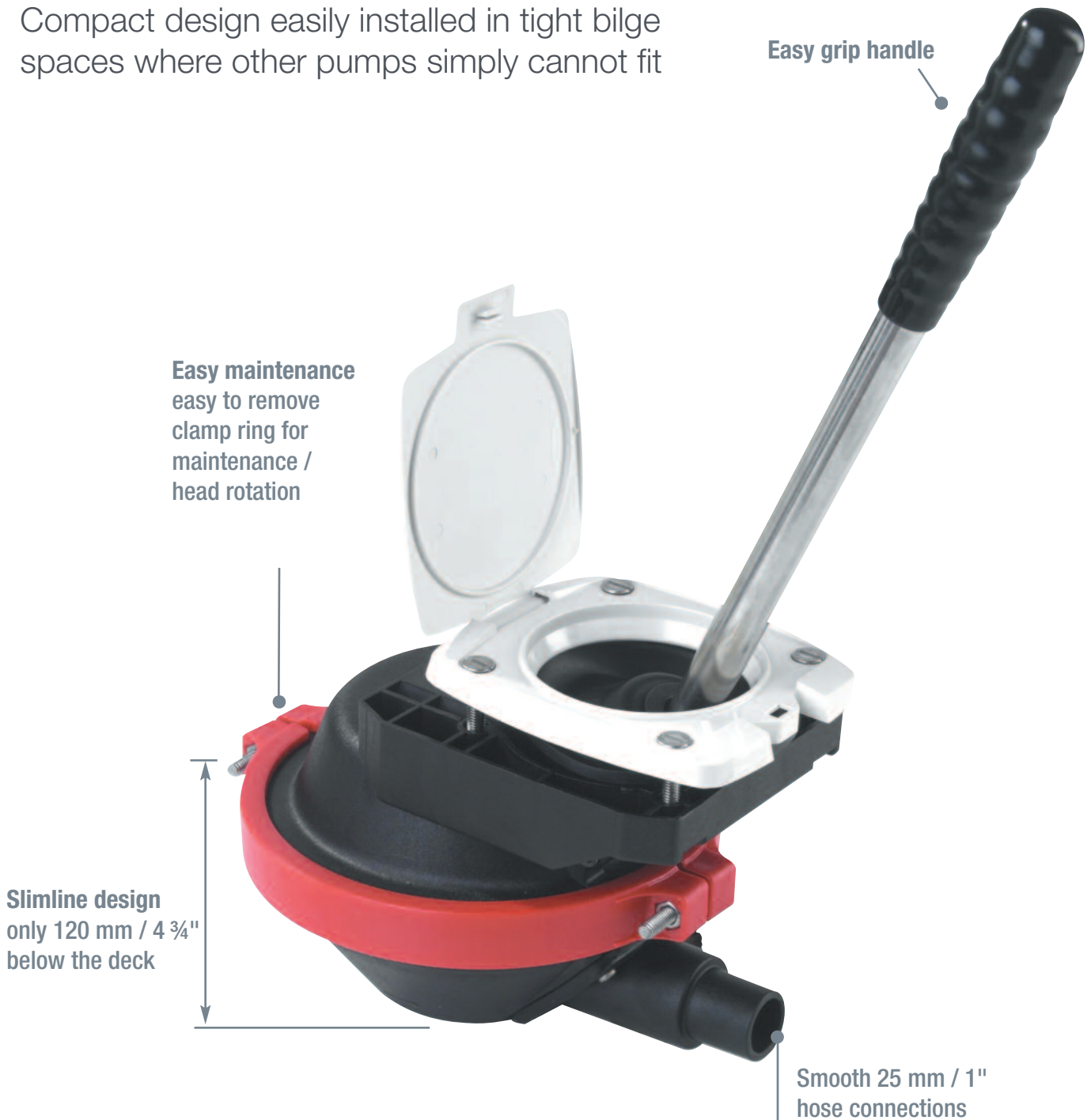
Bilge accessories including non-return valves, elbows and Y pieces see page 40 - 43



Compac 50

Designed for confined spaces where you have limited space to fit your pump

Compact design easily installed in tight bilge spaces where other pumps simply cannot fit



Whale's Most Slim Line Design

- Includes sleek Whale deck plate with cover
- Tough proven reliable
- High performance (up to 35 ltrs / 9.2 US gals per min)
- Suitable for pumping bilge water saltwater or diesel

5 Year Warranty

Tips It is important to ensure that a vented anti-syphon loop is incorporated in the system

Awards and Accreditations

- Suitable as a primary bilge pump on boats equal to or greater than 12 m (40 ft) accordance with ISO15083

COMPLETE YOUR SYSTEM

Whale high quality bilge accessories including non-return valves, elbows and Y pieces see page 40 - 43

i Product Information

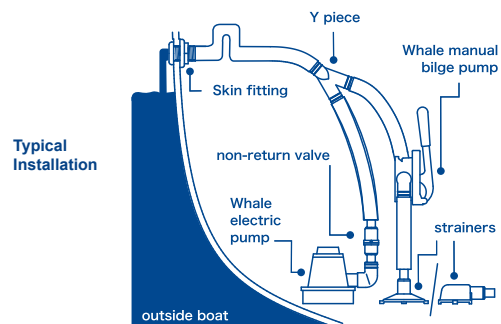
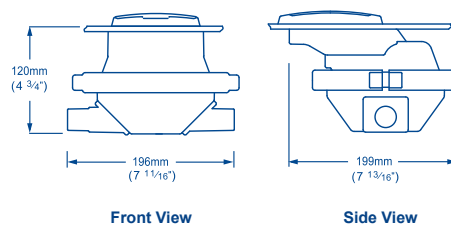
Model Specifications

Model	Compac 50 Thru Deck / Bulkhead
Product Code	BP0350
Weight	0.9 kg (2 lbs)
Hose Connections	25 mm (1") Smooth Hose Connections
Materials	Pump Body: Glass-filled Polypropylene, Clamp Ring: Acetal Diaphragm, Valves and Seals: Nitrile®, Operating Lever: Glass-filled Nylon Gaiter: EPDM, Deck Plate Cover: PBT, Fasteners: Stainless Steel
Materials In Contact With Fluid	Glass-filled Polypropylene, Nitrile®, Stainless Steel
Service Kit	AK8035 - Whale Compac 50 - diaphragm, valves and fixings AS0352 - Whale Compac 50 - Rocker Arm + Clamp Plate Kit AS0353 - Whale Compac 50 - Clamping Ring Kit AS0355 - Whale Compac 50 - Handle Assembly AS0356 - Whale Compac 50 - Deckplate Kit
Accessories	AS0353 - Clamping Ring Kit AS0355 Spare Handle / AS0356 - Deckplate Kit
Maximum Suction Lift	3 m (10 ft)
Maximum Discharge Head	4 m (13.5 ft)

Performance Data

Suction Lift	1 m (3 ft)
Discharge Head	0.5 m (1.5 ft)
45 Strokes per Minute	32 ltrs (9 US gals)
70 Strokes per Minute	35 ltrs (9.2 US gals)

Note: These specifications are retail items only. For details of our bulk pack range for boat builders and wholesalers - contact Whale Support.



Smartbail

3 Year Warranty

Whale's low profile compact pump designed for confined spaces

Sleek integrated handle makes the pump instantly ready for use

Low profile design only 140 mm (5½") deep for confined spaces

Modern styling sleek cover blends with the deck fibreglass

Ease of installation ports swivelling connections for either 25 mm (1") or 38 mm (1½") hose size

Comfortable to use easy grip, integrated handle

Tips

It is important to ensure that a vented anti-syphon loop is incorporated in the system

Lightweight Fast Installation

- Quick easy to install by one person
- Compact size is ideal where space is limited
- Modern styling
 - sleek cover blends in with the deck fibreglass
- Easy pump action - Patented diaphragm
- Self-sealing design means no need for messy sealants

Awards and Accreditations

- Suitable as a primary bilge pump on boats equal to or greater than 12m (40ft) in accordance with ISO15083

i

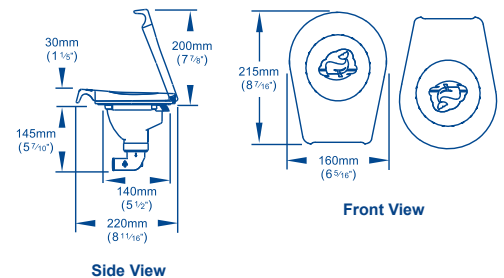
Product Information

Model Specifications

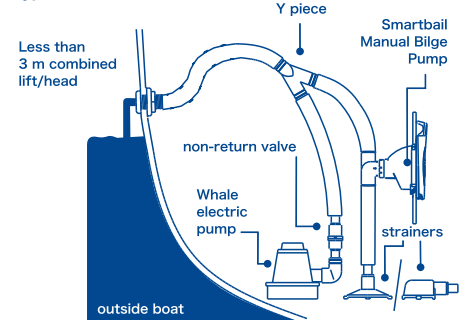
Model	Whale Smartbail (Thru Bulkhead)
Product Code	BP5012
Weight	0.6 kg (1.31lbs)
Hose Connections	2 options included: 25 mm ports (1") qty 2 38 mm ports (1 ½") qty 2
Materials	Glass-filled Polypropylene, Stainless Steel, Nitrile®, Santoprene®
Materials In Contact With Fluid	Pump body: Glass-filled Polypropylene Inlet and outlet valves: Nitrile® Diaphragm: Santoprene®
Service Kit	AK5010 - Diaphragm, valves and seals

Performance Data

Maximum Head		3 m (9.8 ft)			
Maximum Lift		3 m (9.8 ft)			
Maximum Combined Head and Lift		3 m (9.8 ft)			
		BP5012 (with 25 mm ports)		BP5012 (with 38 mm ports)	
Port Size		Smartbail using 25 mm (1") ports		Smartbail using 38 mm (1 ½") ports	
Lift	Head	45 Strokes/Min	70 Strokes/Min	45 Strokes/Min	70 Strokes/Min
0 m (0 ft)	0 m (0 ft)	32.75 ltrs/min (8.7 US gals/min)	51 ltrs/min (13.5 US gals/min)	43.5 ltrs/min (11.49 US gals/min)	67.7 ltrs/min (17.9 US gals/min)



Typical Installation



This product is protected by the following patents: United States Patent No. US 7,647,860; German Patent No. DE 602005024830.7-08 (EP(DE) 1 792 082); French Patent No. FR 1 792 082; United Kingdom Patent No. GB 1 792 082 and Irish Patent No. IE 1 792 082; and by Australian Patent No. 2005 276232; and this product is also protected by the following patents and patent application: German Patent No. 602006021398.0 (EP(DE) 1 846 688); French Patent No. FR 1 846 688; United Kingdom Patent No. GB 1 846 688; and Irish Patent No. IE 1 846 688; and by Australian Patent No. 2006 212431; and United States Patent Application No. 11/814,640.

Note: These specifications are retail items only.

For details of our bulk pack range for boat builders and wholesalers - contact Whale Support.



Product code: see table

Easybailer

MANUAL BILGE

The portable choice instantly ready for use

5 Year Warranty

Whale's hand held pump for easy bail out on board small boats dinghies/kayaks

- Portable light weight design
- Suitable for bilge water or diesel transfer
- Flexible hose can be easily directed to hard to reach bilge areas
- Available in two barrel lengths 483 mm (19") or 685 mm (26 15/16")

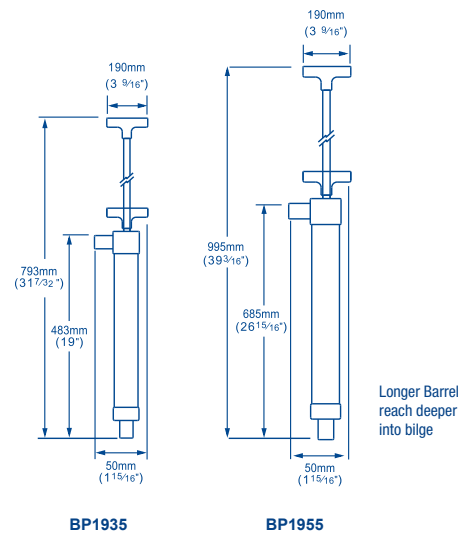
Product Information

Model Specifications

Model	Short Barrel Version	Long Barrel Version
Product Code	BP1935	BP1955
Hose Connections	25 mm (1") Hose Connections	
Weight	0.32 kg (0.7 lbs)	0.4 kg (0.9 lbs)
Materials	Pump Body: ABS, HDPE, Polypropylene, PVC, uPVC, Diaphragm - Neoprene, Fasteners: Stainless Steel	
Materials In Contact With Fluid	ABS, HDPE, Polypropylene, PVC, uPVC, Neoprene, Stainless Steel	

Performance Data

Product Code	BP1935 / BP1955	BP1935 / BP1955
Suction Lift	0	1 m (3 ft)
Discharge Head	0.5 m (1.5 ft)	0.5 m (1.5 ft)
45 Strokes per Minute	19 ltrs (5 US gals)	19 ltrs (5 US gals)
70 Strokes per Minute	31.4 ltrs (8.3 US gals)	31.4 ltrs (8.3 US gals)



Side View

Bilge Accessories

Complete Your System

Fit Whale® high quality pumps and accessories to ensure long term reliability throughout your bilge waste system. Whale switches, diverter valves, and pipework connections are designed and manufactured with highest quality at heart. Combine these accessories with your Whale bilge pumps for reliability and durability.

Need specific advice on your system? Contact our technical team at Whale Support

See below for a full list of accessories

Electric Bilge Switches

Electric Field Sensor Range

- Electric field sensor automatically senses water levels and switches on the bilge pumps
- Nylon material - withstands high temperatures
- Automatically switches on when 51 mm (2") of water is sensed and turns off when water drops below 13 mm (½")
- BE9006 model - built in 30 second off delay for efficient operation, prevents cycle in small sump installations or enables lower drain than 13 mm (½")

Model Specifications

Model	Electric Field Sensor Switch	Electric Field Sensor Switch with 30 second time delay
Product Code	BE9003	BE9006
Voltage D.C.	12 V d.c. or 24 V d.c.	
Current	Suitable for up to 20 amps	
Residual Current	0.008 amp	

Suitable for Orca and Supersub standard submersible ranges – pages 20 and 19

Float Switch

Floatswitch Ideal for use with Electric Bilge Pumps

- Environmentally friendly - no toxic mercury
- Easy to install mounted on either horizontal or vertical surface (e.g. bulkhead or hull)
- Suitable for installations where amp draw is up to 15 amps
- Compact design

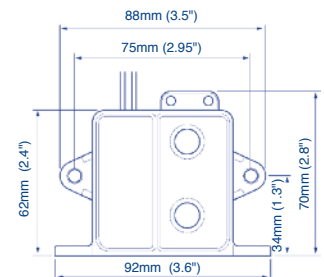
Model Specifications

Model	Whale Float Switch
Product Code	BE9002
Voltage D.C.	12 V d.c. or 24 V d.c.
Current	Suitable for up to 15 amps

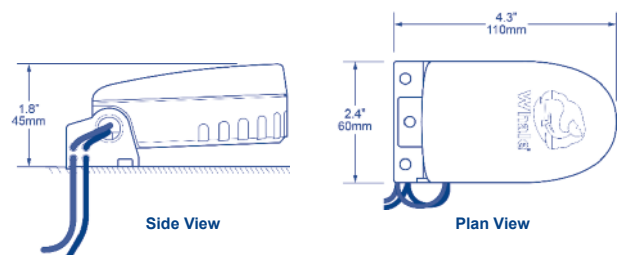
Suitable for Orca and Supersub Standard Submersible ranges see pages 20 and 19

Note: These specifications are retail items only.

For details of our bulk pack range for boat builders and wholesalers - contact Whale Support.



Side View



Side View

Plan View

Accessories - Pipework Connections

Accessories - Pipework Connections

Whale supply a wide range of accessories designed specifically for use with Whale Pumps, creating a system solution for the installer.

Y Piece

- Designed to enable two pumps to discharge through a single line
- Ideal for use when a diverter is not required

Model Specifications

Model Product Code	Y Piece YP6114
Pipe Diameter	38 mm (1½")
Materials	Glass-filled Polypropylene



YP6114

Elbows

- Ideal for use in installations in confined spaces

Model Specifications

Model Product Code	Elbow EB3364	Elbow EB3488
Pipe Diameter	25 mm (1")	38 mm (1½")
Materials	Glass-filled Polypropylene	



EB3364



EB3488

Check Valves

- Provide an easy way to maintain prime in a suction or discharge line
- Designed to fit in-line
- Suitable for use with manual or electric pumps

Model Specifications

Product Code	LV1215	LV1218	LV1219
Pipe Diameter	25 mm (1") 38 mm (1½")	25 mm (1") 28 mm (1 1/8")	19 mm (¾") 25 mm (1")
Materials	Body: Glass-filled Polypropylene, Valve: Nitrile®		



LV1215



LV1218

LV1219

Skin Fittings

- Manufactured in strong high quality moulded non-corrosive acetal

Model Specifications

Model Product Code	Skin Fitting SF5018	Skin Fitting SF5131	Skin Fitting SF5204	Skin Fitting SF5425
Diameter Size	16 mm (5/8")	19 mm (¾")	25 mm (1")	38 mm (1½")
Materials	Acetal			



SF5204
(see table for part numbers of other hose connections)

Note: These specifications are retail items only.

For details of our bulk pack range for boat builders and wholesalers - contact Whale Support.

Bilge Accessories

Deckplates

Deckplates

A Comprehensive Range Of Bilge Pump Covers

- Provides a neat cover over manual bilge pumps
- Aesthetic designs
- Manufactured from UV Stabilised plastic
- Will not fade or discolour
- Snap-shut lid remains closed when pump is not in use

Deckplate Selector			
Product Code	Model	Materials	For Use With
DP8904	Plastic 4 Hole Model	PBT	Gusher® Urchin Gusher® Titan, Gusher® 10
DP3804	Metal 4 Hole Model	Cast and Aluminum LM6	Gusher® 10 Gusher® 30 (BP3020)
DP9905	Plastic 6 Hole Deck Ring	Acetal	Mk 5 Underdeck BP0535 / MH5560
DP9906	Plastic 4 Hole Covered Model	PBT	Mk5 Universal
AS0356	Plastic 4 Hole Model	PBT	Compac 50
AS3020	Includes DP3804+ Bridge Section	Cast and Aluminum LM6	Gusher® 30 (BP3020)

Note: These specifications are retail items only.

For details of our bulk pack range for boat builders and wholesalers - contact Whale Support.



DP8904



DP3804



DP9905



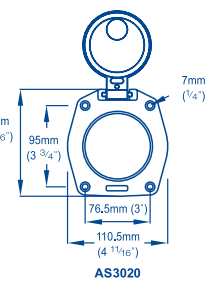
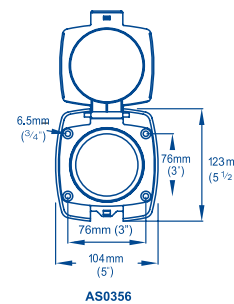
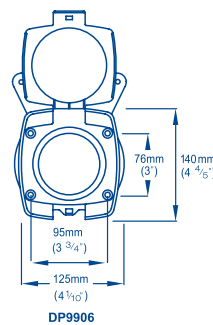
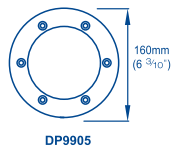
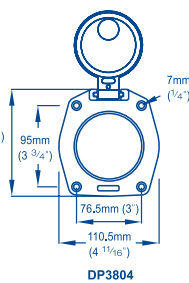
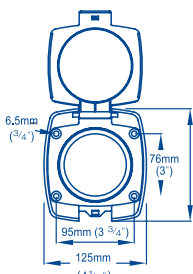
DP9906



AS0356



AS3020



Diverter Valve

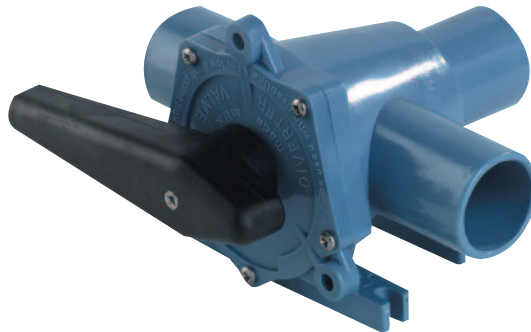
Diverter Valve

Allows one pump to draw from two locations

- Robust, reliable design
- Teflon® lubricated non-stick operation
- Precision machined for odour-proof seal
- Withstands sewage/black waste, saltwater and bilgewater
- Models available in either 25 mm (1") or 38 mm (1 1/2") hose connection

Typical Uses

- Suitable for electric or manual waste management systems
- Used in bilge and toilet waste systems
- Diverts flow to holding tank or overboard or deck pump out

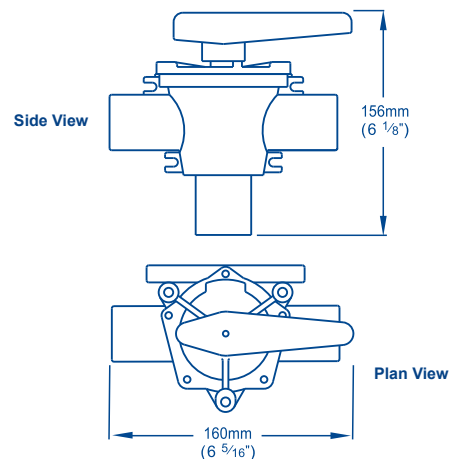


Diverter Valve
5 Year Warranty

Model Specifications

Model	Diverter Valve	Diverter Valve
Product Code	DV5630	DV5606
Hose Connections	25 mm (1")	38 mm (1 1/2")
Materials	Main Body: Acetal, Teflon®, Handle: PTFE Polyester	

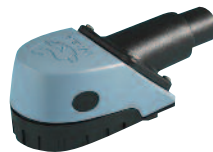
Note: These specifications are retail items only.
For details of our bulk pack range for boat builders and wholesalers - contact Whale Support.



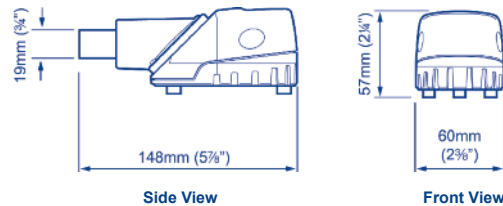
Bilge Strainers/Strum Boxes

3/4" Strainer

3/4" (19 mm) Strainer with Multi-Directional Port and Non-Return Valve



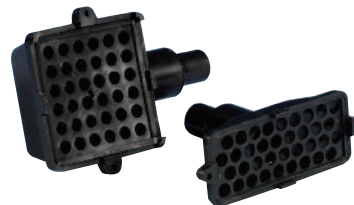
SB3422
(Top/Side entry)



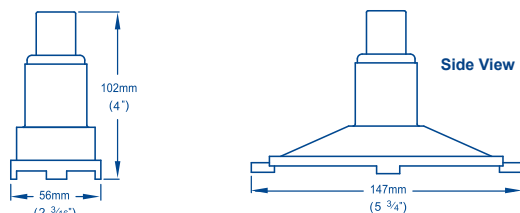
1" / 1 1/2" Strainer

1" (25 mm) / 1 1/2" (38 mm) Strainers available with top or side entry

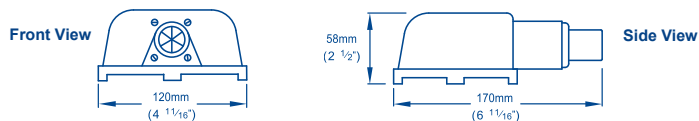
Model	Top Entry Strainer	Side Entry Strainer
Product Code	SB5865	SB4222
Materials	Polypropylene	



SB4222 SB5865



Front View SB5865



SB4222





Whale - Fresh Water Range

For all your freshwater needs on board

Whale's wide range of freshwater pumps, plumbing and accessories offer you all you need for a smooth and constant freshwater supply on board from water supply to outlet. Our range includes a variety of manual and electric pumps with various flow rates and pressure settings to best suit your boat. Our extensive range allows you to fit a complete Whale system from plumbing, pumps and filters to faucets and showers.

Electric Freshwater Galley Pumps

- Watermaster Pressure Pumps - Page 46 - 47
- Double Stack High Capacity Freshwater System - Page 48 - 49
- Accumulator Kits - Page 50 - 51
- Submersible Impeller Pumps - Page 52 - 53
- Inline Booster Pumps - Page 54 - 55

Manual Freshwater Galley Pumps

Hand Operated

- V Pump - Page 56

Foot Operated

- Flipper - Page 57
- Gusher Galley - Page 58
- Babyfoot - Page 59

Tiptoe is no longer available. A service kit is available:

AK1304 - Service Kit for Tiptoe Mk 3 and Mk 4 Models Contains: Washers, Valve Plates, Circlips

Faucets and Interior Showers

- ABS Tough Lightweight Range
- Elegance Faucet Range page 62, Elegance Shower Range page 63

Deck/ Transom Showers

- Whale Twist Deck Shower - Page 64
- Compact Swim 'n' Rinse Range - Page 66
- Swim 'n' Rinse - Page 67

Accessories

Complete the system with filters, surge dampers, strainers, one way valves and pressure switches - Page 68

Watermaster®

Automatic Pressure Pump

Delivers smooth consistent flow and runs dry without damage

Pump design based on more than 70 years of marine product experience

Traditionally automatic pressure pumps designs are mainly focussed on high power or performance, but with our experience of building products designed to withstand harsh marine conditions, we have added design features to protect the pump for the long haul

Fully sealed protective motor housing

Power 
Performance 
Plus Protection 

Filter and fittings included



2 x 1/2" Threaded Connectors



2 x 1/2" Barbed Connectors



1 x Strainer

3 feet rotate to suit your installation

Quick Connect or threaded ports for faster installation

Smooth constant flow from specifically designed diaphragms

Product code: see table

Patent applied for application number is 1214335.0

This product is protected by the following granted patents:

This product is protected by the following granted patents: United States Patent No. US 6,840,745; Canadian Patent No. 2 380 465; United Kingdom Patent No. GB 1 222 392; French Patent No. FR 1 222 392; German Patent No. DE 60018089.1 (EP/DE 1 222392); and Italian Patent No. IT 1 222 392.

WHY Watermaster?

POWER

- High flow rates at a variety of outlets
- Smooth constant flow
- Self priming up to 3 m (10 ft)

PERFORMANCE

- Quiet, automatic operation
- Easy installation - suitable for 15mm Quick Connect plumbing or 1/2" threaded connection
- Suitable for use with salt or fresh water

PROTECTION

- Fully sealed protective motor housing
- Completely integrated electronics
- IP65 rated - no water ingress
- Runs dry without damage
- Includes strainer to protect pump from debris

2 Year Warranty

Awards and Accreditations

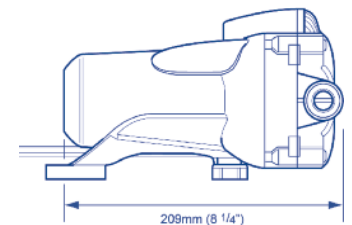
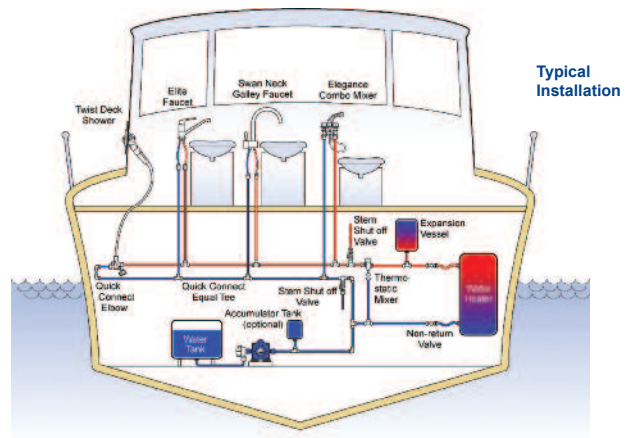
- Industry Approved IP67 Pump
- EMC compliant
- CE marked

COMPLETE YOUR SYSTEM

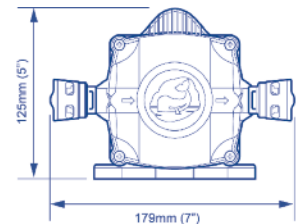
Freshwater system accessories such as water filters, and pipework connections - page 68

YOU MAY ALSO LIKE

Whale Quick Connect plumbing - Pipework and fittings - page 82-85



SideView



Front View

Product Information

Model Specifications

Product Code	Watermaster FW0814		Watermaster FW1214		Watermaster FW1215		Watermaster FW1225	
	FW0814		FW1214		FW1215		FW1225	
Open Flow Rate (per min)	8 ltrs (2.0 US GPM)				11.5 ltrs (3.0 US GPM)			
Suitable for Number of Outlets	1-2 Outlets				3 - 4 Outlets			
Voltage			12 V d.c.				24 V d.c.	
Recommended Fuse Size	5 amps Automotive		7.5 amps Automotive		5 amps Automotive			
Weight			1.5 kg (3.3 lbs)					
Hose Connections			Whale Quick Connect 15mm Female Connections 2 x 1/2" threaded connections and 2 x 1/2" barbed connections included					
Maximum System Pressure	2 bar (30 psi)				3 bar (45 psi)			
Materials			Pump Body: Glass-filled Polypropylene, Motor Casing: Aluminium, Power-coated Steel Diaphragm, Valves, Feet: Monprene®, Seals: Nitrile®, Fasteners: Stainless Steel					
Materials in Contact with Fluid			Pump Body: Glass-filled Polypropylene, Motor Casing: Aluminium, Power-coated Steel Diaphragm, Valves, Feet: Monprene®, Seals: Nitrile®, Fasteners: Stainless Steel					
Service kits			AK1316 Replacement Head, AK1319 Replacement Strainer (for freshwater) AK1329 Replacement Strainer (for saltwater) use					
Current Draw	4 amps		6 amps		6 amps		4 amps	

Note: for wiring advice on your installation please contact Whale Support.

These specifications are retail items only.

For details of our bulk pack range for boat builders and wholesalers - contact Whale Support.

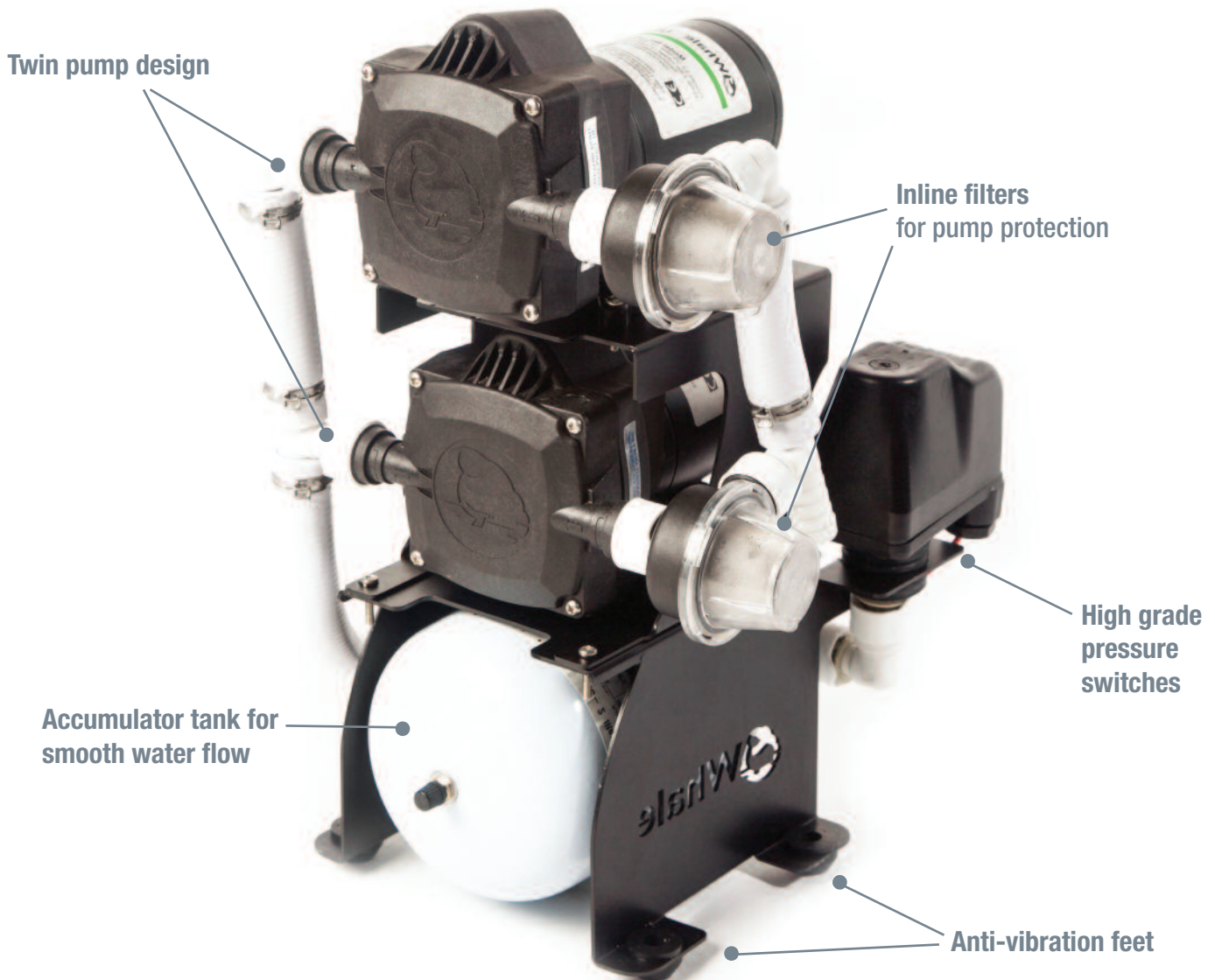
If you require an 18 ltr model, please refer to Washdown pumps page 78 or Accumulator kit with 8 ltr pump page 50.

Double Stack Freshwater Pump System

High Capacity Freshwater Kit

Efficiently delivers smooth water flow in vessels with up to 8 outlets

- Fast installation - pre-assembled system
- Smooth even flow
- Reduces noise and vibration by preventing pump cycling
- Small footprint - ideal for installation in tight spaces



Efficient Pump Control

- Combined pumps and accumulator tank ensures a smooth flow of freshwater to multiple outlets
- Uses system pressure to control pump activation and prevent pump cycling
- A single pump activates when low flow rate is required
- Both pumps activate only when high flow rate is required

High Grade Pressure Switches

- Robust industrial grade external pressure switches are ignition protected and require no relays

Noise Reduction

- Unique mounting bracket ensures compact footprint and includes vibration reducing feet

2 Year Warranty

Awards and Accreditations

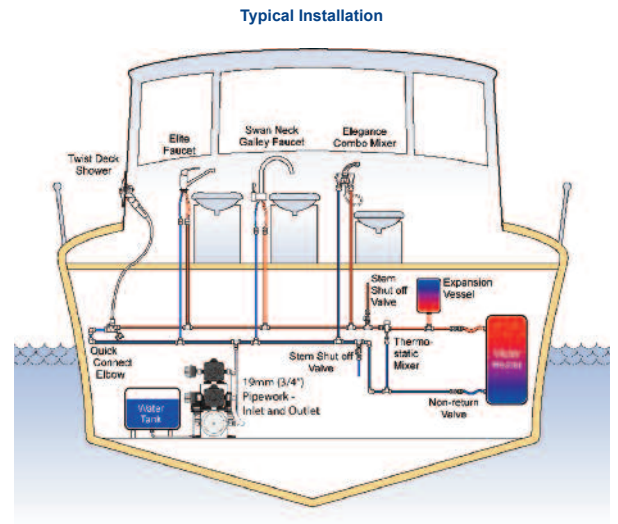
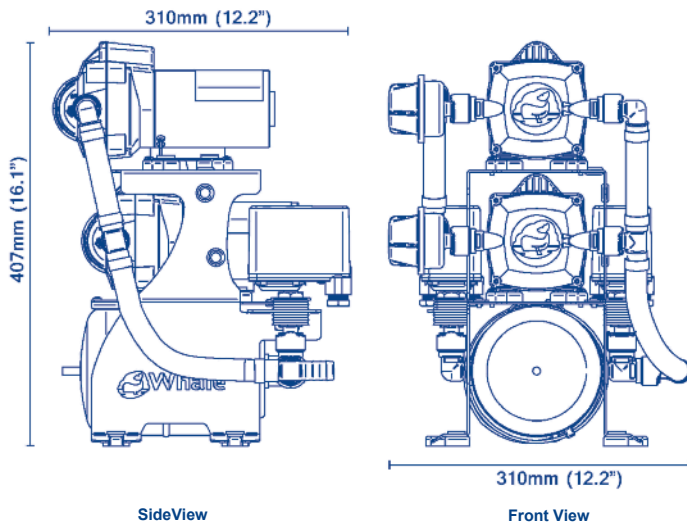
- EMC compliant
- CE marked

COMPLETE YOUR SYSTEM

Freshwater system accessories such as water filters, and pipework connections - page 68

YOU MAY ALSO LIKE

Whale Quick Connect plumbing - Pipework and fittings - page 80-83



Model Specifications

Model	High Capacity Freshwater Kit			
	UF2415B	UF2425B	UF3615B	UF3625B
Accumulator Tank Size	2 Ltrs (0.53 US Gals)			
Open Flow Rate (Per Minute)	24 Ltrs (6.3 US Gals)		32 Ltrs (8.4 US Gals)	
Voltage	12 V d.c.	24 V d.c.	12 V d.c.	24 V d.c.
Recommended Automotive Fuse Rating (per pump)	10A	5A	12A	8A
Cut Out Pressure	Pump 1 - 3.0 bar (45 psi); Pump 2 - 2.0 bar (30 psi)			
Cut In Pressure	Pump 1 - 2.0 bar (30 psi); Pump 2 - 1.4 bar (20 psi)			
Weight	8.7 kg (19 lbs)		9.8kg (22 lbs)	
Factory Pre-charge Pressure	2.2 bar (32 psi)			
Inlet and Outlet Size	3/4" barb (19 mm)			
Materials In Contact With Liquid	Glass Filled Polypropylene, Santoprene®, Nitrile®, Butyl, Stainless Steel, Brass			
Maximum Outlets	up to 6		up to 8	
Maximum Lift	3 m (10ft)			

Pump Accumulator Kit – Integrated

**Smooth constant flow - prevents water hammering and cycling.
One piece kit includes pump and compact accumulator tank**

This integrated kit is a drop into line pre-assembled kit designed to provide a constant reliable flow of water on board. Save time and money with this quick to install pre-assembled kit

Easy maintenance inlet strainer with clear lid for inspection prevents debris from entering the pump

Accumulator tank combines high capacity and compact size

UF2015

Easy installation pre-mounted kit 4 screws and connect plumbing

Moulded base drop in and fit one piece kit

Connects directly to 15 mm Quick Connect pipework. Suitable to connect to 1/2" flexible hose or 3/8" flexible hose with Whale adaptors (see specifications)



UF2215

Combined Pump And Accumulator Tank Ensures A Smooth Even Flow Of Water To All Outlets

- Combined pump and accumulator tank ensures a smooth even flow of water to all outlets
- Compact design installs easily in convenient locations
- Reduced noise and vibration by preventing pump cycling
- Easily plumbed into standard 1/2" or 3/8" pipework
- Connects directly to Whale Quick Connect 15 mm plumbing system
- Can be fitted to new or existing systems
- Includes long life Whale pressure pump

2 Year Warranty

Approvals and Standards

- EMC compliant
- CE marked

COMPLETE YOUR SYSTEM

Freshwater system accessories such as water filters, and pipework connections - page 68

YOU MAY ALSO LIKE

Whale Quick Connect plumbing - Pipework and fittings - page 82-85

TANKS ALSO AVAILABLE

PT0200 - 2 ltr (0.53 US Gal) capacity tank also available separately



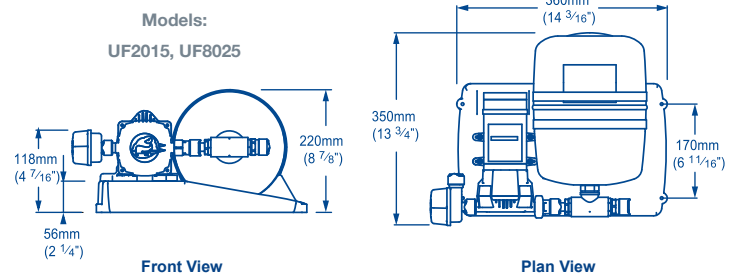
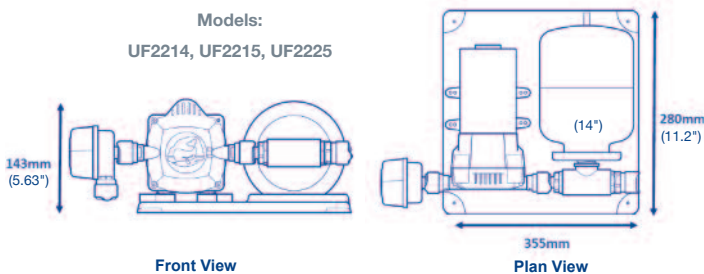
i Product Information

Model Specifications

Model	Accumulator Kits					
Product Code	UF2214	UF2215	UF2224	UF2225	UF2015	UF8025
Includes Pressure Pump Model	UF1214	UF1215	UF1224	UF1225	UF1215	UF1825
Accumulator Tank Size	2 ltrs (0.53 US Gals)				8 ltrs (4.75 US Gals)	
Open Flow Rate per Minute	11.5 ltrs (3.0 US Gals)				12 ltrs (3.2 US gals)	18 ltrs (4.75 US gals)
Voltage	12 V d.c.		24 V d.c.		12 V d.c.	24 V d.c.
Recommended Fuse Size	10 A		5A		8A	8A
Cut Out Pressure	2 bar (30psi)	3 bar (45psi)	2 bar (30psi)	3 bar (45psi)	2 bar (30psi)	3 bar (45psi)
Weight	3.9kg				5.4 kg	5.9 kg
Factory Pre-charge Pressure (+/-0.014 bar+/-2psi)	1.5 bar (22 psi)	2.2 bar (32psi)	1.5 bar (22 psi)	2.2 bar (32psi)	1.4 bar (20 psi)	2.2 bar (32psi)
Inlet / Outlet Connections	Quick Connect Whale® 15 mm connections				Whale Quick Connect 15 mm Female For 1/2" Flexible Hose, Use WX1584 (supplied with kit) For 3/8" Flexible Hose, Use WU1215 and WU1280 (not supplied with kit)	
Materials	Pump Body: Glass-filled Polypropylene Aluminium and Powder-coated Steel Diaphragms: antoprene, Valves and Feet: Monoprene®, Seals: Nitrile®, Tank: Butyl, Base: ABS Fittings: Brass, Fasteners: Stainless Steel					
Materials in Contact With Fluid	Glass-filled Polypropylene, Monprene®, Nitrile®, Stainless Steel, Brass					
Minimum Wire Size	2.5 mm (20 SWG)					
Maximum Discharge Head	3 m (10 ft)					
Maximum Suction Lift	20 m (66 ft)	30 m (99 ft)	20 m (66 ft)	30 m (99 ft)	20 m (66 ft)	30 m (99 ft)

Note: These specifications are retail items only.

For details of our bulk pack range for boat builders and wholesalers - contact Whale Support.



Submersible Impeller Range

Whale's high flow long life submersible impeller galley pumps

Simple plumbing suitable for 10 mm ($\frac{3}{8}$ ") or 13 mm ($\frac{1}{2}$ ") flexible hose

Watertight electrics sonic welded cable connection

Simple and compact design



Standard Pump 10 ltrs / min

- Simple, compact and an economical solution
- Ideal for basic, one outlet application



Premium Pump 13 ltrs / min

- Reliable, general purpose and suitable for multiple outlets
- Long life, very quiet with low power consumption
- An inexpensive way to update a manual to an electric system



High Flow Pump 14 ltrs / min

- Market leading submersible pump for flow performance suitable for showering

Robust ABS pump housing

Whale
SUBMERSIBLE

12V D.C. Pump



Read Instructions
before use

Do not run dry

Narrow design ideal to drop into your water tank

Protected strainer prevents debris entering pump*

Product code: see table
Please note* - Strainer included on High Flow and Premium models only

Simple, Compact Economical Solution

- Long life, very quiet with low power consumption
- An inexpensive way to update a manual to an electric system
- Choose the pump to suit your freshwater needs on board from 3 flow options
- 12 V d.c. / 24 V d.c. models available
- Compact, quiet, lightweight design suitable for use with pressure switch and microswitch systems
- Also suitable for pumping diesel

1 Year Warranty

Awards and Accreditations

- EMC compliant
- CE marked

COMPLETE YOUR SYSTEM

Freshwater accessories such as water filters, and pipework connections - page 68

YOU MAY ALSO LIKE

Watermaster Automatic Pressure Pumps - page 46

Whale Quick Connect plumbing - Pipework and fittings - page 82-85



Product Information

Model Specifications

Model	Standard		Premium			High Flow	
	12 V d.c.	12 V d.c.	12 V d.c.	24 V d.c.	24 V d.c.	12 V d.c.	12 V d.c.
Pump	Sub	Sub	Inline	Sub	Inline	Sub	Inline
Product Code	GP1002	GP1352	GP1392	GP1354	GP1394	GP1652	GP1692
Fuse Size	5 amps automotive			3 amps automotive		5 amps automotive	
Weight	0.15 kg (0.3 lbs)						
Hose Connections	Suitable for 10 mm (3/8") or 13 mm (1/2") Flexible Hose						
Connection to Quick Connect Plumbing	Use WX1511B (Stem Adaptor: 11 mm-15 mm) Connect WX1504 (15 mm Equal Straight)						
Filter included	No	Yes	No	Yes	No	Yes	No
Materials in contact with liquid	Pump Body: ABS, Seals: Nitrile®, Strainer: Polypropylene, Impeller: PBT, Cable: PVC						
Cable Length	1 m						

*Note: Pump performance will depend on the plumbing system and restrictions on outlets in your boat.

Performance Data

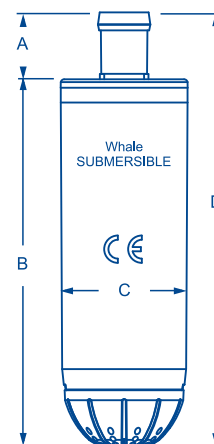
Discharge Head	Flow Rate Per Minute / Current Draw			
	Standard 12 V d.c.	12 V d.c.	24 V d.c.	High Flow 12 V d.c.
0 m (0 ft)	10.3 ltrs 2.4 amps	13.2 ltrs 3.6 amps	13.2 ltrs 1.8 amps	15.8 ltrs 3.8 amp
1 m (3 ft)	8.75 ltrs 2.2 amps	11.75 ltrs 3.3 amps	11.75 ltrs 1.6 amps	14.8 ltrs 3.7 amps
3 m (9 ft)	5.75 ltrs 2.0 amps	9.75 ltrs 2.9 amps	9.75 ltrs 1.45 amps	12.8 ltrs 3.5 amps

Note: Each pump performance will depend on the plumbing system and restrictions on outlets in your boat.

Dimensions Table

	A	B	C	D
Standard	20 mm (3/16")	88 mm (3 7/16")	36 mm (1 7/16")	108 mm (4 1/4")
Premium/High Flow	20 mm (3/16")	109 mm (4 5/16")	36 mm (1 7/16")	129 mm (5 1/16")

Note: These specifications are retail items only. For details of our bulk pack range for boat builders and wholesalers - contact Whale Support.

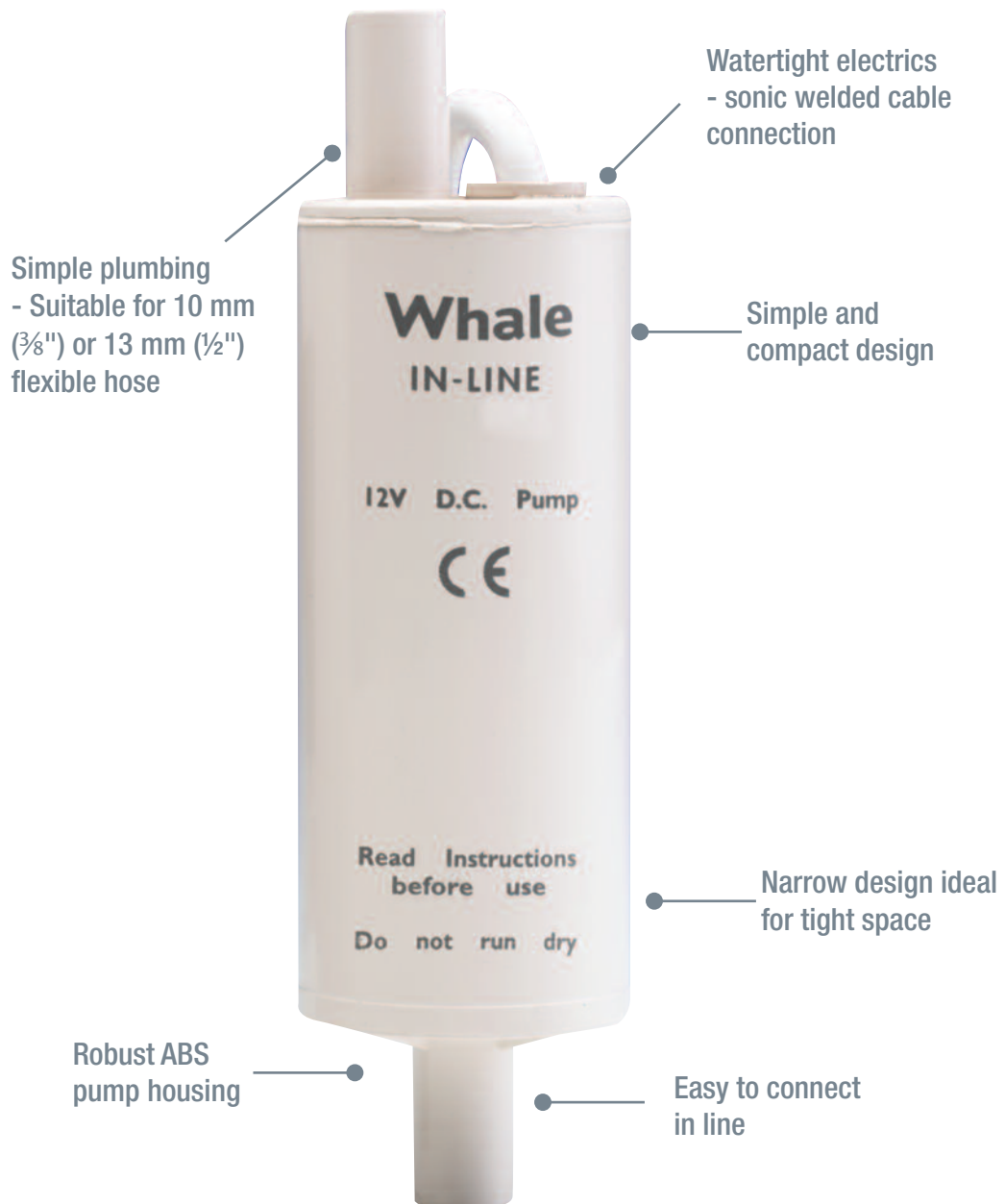


WARNING

Note: Not suitable for petrol, low flash point liquids and aggressive chemicals. This pump must not be used for pumping petrol or any highly inflammable or corrosive liquids.

In-Line Booster Pump

Whale's highest flow rate, longest life in line impeller galley pumps
- fit in line to increase flow rate



Compact Electric In-Line Pump

- Simple, compact and an economical solution
- Long life, very quiet with low power consumption
- An inexpensive way to enhance your water system on board
- Choose the pump to suit your freshwater needs on board from 2 flow options
- Lightweight design
- Ideal for pumping freshwater and saltwater
- Straight forward installation
- fits unsupported into pipework
- Available in 12 and 24 V d.c. models

1 Year Warranty

Approvals and standards

- EMC compliant
- CE marked

COMPLETE YOUR SYSTEM

Freshwater system accessories such as water filters, and pipework connections – page 68

YOU MAY ALSO LIKE

- Watermaster Automatic Pressure Pumps - page 46
- Whale Quick Connect plumbing - Pipework and fittings - page 82-83
- Whale's manual galley foot pump range - Gusher Galley - page 58
- Babyfoot- page 59



Product Information

Model Specifications

Model	In-Line Premium GP1392	In-Line Premium GP1394	In-Line High Flow GP1692
Product Code	GP1392	GP1394	GP1692
Voltage	12 V d.c.	24 V d.c.	12 V d.c.
Recommended Fuse Size	5 amps automotive	3 amps automotive	5 amps automotive
Weight	0.15 kg (0.3 lbs)		
Hose Connections	Suitable for 10 mm (3/8") or 13 mm (1/2") Flexible Hose		
Connection to Quick Connect Plumbing	Use WX1511B (Stem Adaptor 11 mm-15 mm) Connect WX1504 (15 mm Equal Straight) and then 15 mm Plumbing		
Materials	Pump Body: ABS, Seal: Nitrile®, PBT		

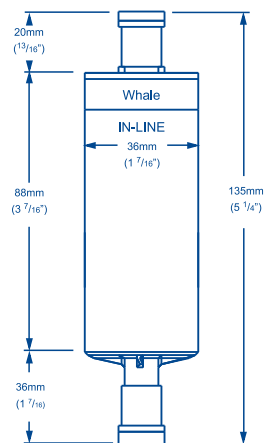
Performance Data

Discharge Head	Flow Rate Per Minute Current Draw		
	0 m (0 ft)	13.2 ltrs 3.6 amps	13.2 ltrs 1.8 amps
1 m (3 ft)	11.75 ltrs 3.3 amps	11.75 ltrs 1.6 amps	14.75 ltrs 3.7 amps
3 m (9 ft)	9.75 ltrs 2.9 amps	9.75 ltrs 1.45 amps	12.75 ltrs 3.5 amps

Note: Each pump performance will depend on the plumbing system and restrictions on outlets in your boat.

Note: These specifications are retail items only.

For details of our bulk pack range for boat builders and wholesalers - contact Whale Support.



WARNING
Note: Not suitable for petrol, low flash point liquids and aggressive chemicals.
This pump must not be used for pumping petrol or any highly inflammable or corrosive liquids.

V Pump Mk 6

5 Year Warranty

Narrow mounting base allows installation for use between two sinks

Simple Hand Operated Solution For Pumping Water In The Galley

- Ideal where space is limited
- Angled spout and adjustable height provide various options for installation
- Extended spout makes for easy filling of containers
- Capacity 8 ltrs (2.2 US gals) per minute
- Delivers a smooth flow on each stroke
- Useful as a back-up pump or for a simple freshwater supply pump
- Suitable for fresh water and saltwater
- Ideal where space is limited



COMPLETE YOUR SYSTEM

Freshwater system accessories such as water filters, and pipework connections – page 68

YOU MAY ALSO LIKE

Whale water filters – page 68
Watermaster Automatic Pressure Pumps – page 46



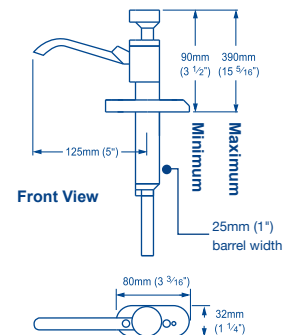
Product Information

Model Specifications

Model	V Pump Mk 6
Product Code	GP0650
Hose Connections	Suitable for Quick Connect 15 mm Plumbing and 13 mm (1/2") Flexible Hose
Weight	0.26 kg (0.6 lbs)
Materials	Pump Body: Acetal, Pump Barrel: Anodized Aluminium Alloy Seals: Neoprene, Nitrile®, Fasteners: Stainless Steel
Service Kit	AK0618 - Service Kit for V Pump, Mk 5, Mk 6 Models Contains: Diaphragm, Seals, Fasteners AS0627 - Clamping Block Assembly
Maximum Suction Lift	3 m (10 ft)
Maximum Discharge Head	4 m (13 ft)
Maximum Output per Minute	8 ltrs (2.2 US gals)

Note: These specifications are retail items only.

For details of our bulk pack range for boat builders and wholesalers - contact Whale Support.



Front View

Plan View



WARNING
Note: Not for use in pressurized systems



Flipper Pump Mk 4

Simple hand operated solution for pumping water in the galley

Manual Self Priming Galley Pump

- Ideal for installing between two sinks - swivelling outlet
- Precise flow control
- Easy operation - Light back & forth pump action
- 7 ltrs capacity (1.85 US gals) per minute
- Fine flow control
- Suitable for fresh or saltwater

COMPLETE YOUR SYSTEM

Freshwater system accessories such as water filters, and pipework connections – page 68

YOU MAY ALSO LIKE

Watermaster Automatic Pressure Pumps – page 46



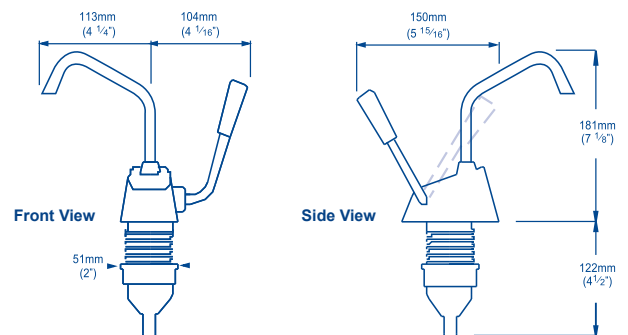
Product Information

Model Specifications

Model	Flipper Pump Mk 4
Product Code	GP0418
Hose Connections	Suitable for 13 mm (1/2") Flexible Hose
Weight	0.30 kg (0.71 lbs)
Materials	Pump Body: Acetal, Nylon, Polystyrene, Polypropylene LM6 Aluminium Alloy, Brass Seals: Neoprene, Nitrile®, ABS Fasteners: Stainless Steel
Service Kit	AK0405 - Service Kit for Flipper Mk3 and Mk4 Models Contains: Diaphragm, Seals, Screws AS0406 - Flipper Overhaul Kit
Maximum Suction Lift	3 m (10 ft)
Maximum Discharge Head	3 m (10 ft)
Maximum Output per Minute	7 ltrs (1.85 US gals)

Note: These specifications are retail items only.

For details of our bulk pack range for boat builders and wholesalers - contact Whale Support.



WARNING
Note: Not for use in pressurized systems

5 Year Warranty

Gusher® Galley

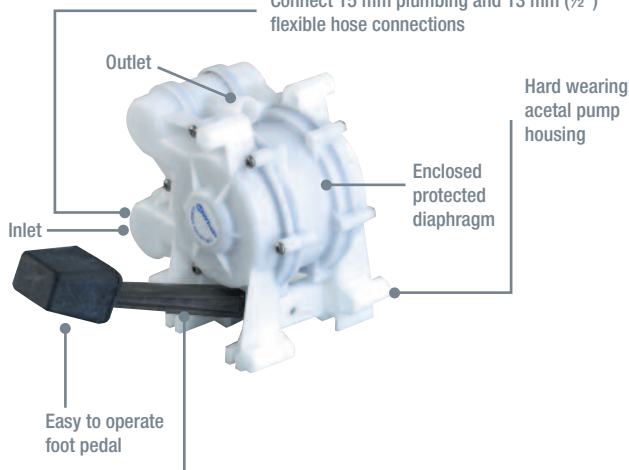
The simple solution for fresh water delivery in small galleys

Simple Foot Operated Solution For Pumping Water In The Galley

Whale manual self priming galley pumps - simple foot operated solution for pumping water in the galley

- Smooth double action
- Self primes and operates dry without damage
- Easy, smooth hands free operation
- Ease of installation - Multi-directional inlet and outlet hose connections
- 3 mounting options (including thru bulkhead)
- Left and right oriented foot lever versions available
- Also ideally used to prime Whale In-Line Booster pumps
- Pumps fresh and salt water
- 15 ltrs (4 US gals) per minute

Straight forward installation
multi-directional inlet and outlet ports
Simple plumbing - Suitable for Whale Quick Connect 15 mm plumbing and 13 mm (1/2") flexible hose connections



Model to suit most galley layouts left /right lever options available

Note - left lever mount version shown

COMPLETE YOUR SYSTEM

Freshwater system accessories such as water filters, and pipework connections - page 68

YOU MAY ALSO LIKE

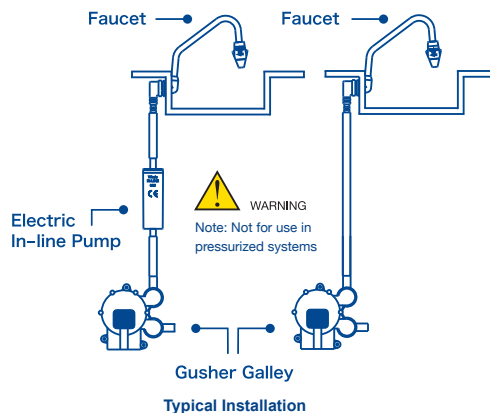
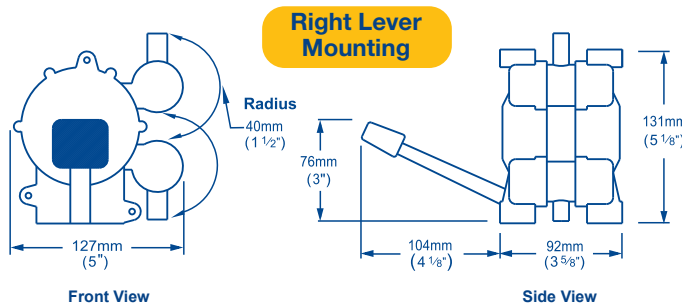
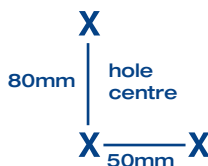
Whale inline booster pumps to fit with Gusher Galley - page 54

Product Information

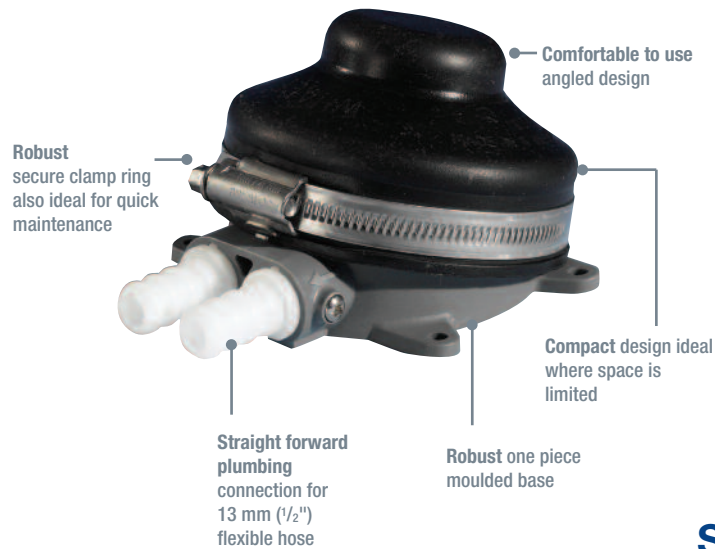
Model Specifications

Model	Gusher® Galley Mk 3	
Product Code	GP0550	GP0551
Lever Mounting	Right	Left
Weight	0.7 kg (1.5 lbs)	
Hose Connections	Suitable for Connection to Whale Quick Connect 15 mm Plumbing 13 mm (1/2") Flexible Hose	
Materials	Pump Body: Acetal, Nylon. Lever: LM6 Aluminium Alloy Diaphragm: Nitrile®, Neoprene, Fasteners: Stainless Steel	
Service Kit	AK0553 - Service Kit for Gusher® Galley (suitable for Mk 3 only) Contains: Diaphragm, Valves and Seals AS0556 - Piston and Operating Kit	
Maximum Suction Lift	2 m (7 ft)	
Maximum Discharge Head	3 m (10 ft)	
Maximum Output per Minute	15 ltrs (4 US gals)	

Note: These specifications are retail items only.
For details of our bulk pack range for boat builders and wholesalers - contact Whale Support.



5 Year Warranty



Babyfoot®

FRESHWATER

Simple hand operated solution for pumping water in the galley

COMPLETE YOUR SYSTEM

Freshwater system accessories such as water filters, and pipework connections - page 68

YOU MAY ALSO LIKE

Whale inline booster pumps to fit with Babyfoot - page 54
Watermaster Automatic Pressure Pumps - page 46

Why Babyfoot?

Whale manual self priming galley pumps- simple foot operated solution for pumping water in the galley

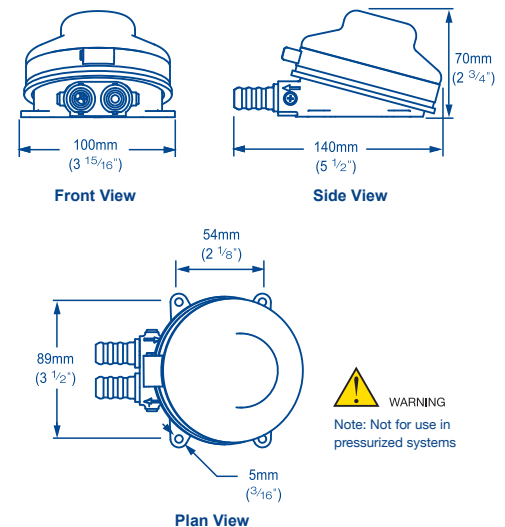
- Smooth and easy operation
- Comfortable to use - angled top section
- Compact for installing in confined spaces
- Ideal as a priming pump for use with Whale in line impeller electric pumps
- The ideal foot pump for a simple freshwater system

Product Information

Model Specifications

Model	Babyfoot®
Product Code	GP4618
Hose Connections	Suitable for 13 mm (1/2") Flexible Hose
Weight	0.3 kg (0.7 lbs)
Materials	Pump Body: Nylon, Ports: Acetal, Seals: Neoprene Fasteners: Stainless Steel, Phosphor Bronze
Service Kit	AK4615 - Service Kit for Babyfoot® Pump Contains: Diaphragm Valves, O Rings, Spring, Fasteners
Maximum Suction Lift	1.5 m (5 ft)
Maximum Discharge Head	3 m (10 ft)
Maximum Output per Minute	8 ltrs (2.2 US gals)

Note: These specifications are retail items only.
For details of our bulk pack range for boat builders and wholesalers - contact Whale Support.





Whale - Faucets, Interior Showers and Deck or Transom Showers

For all your freshwater needs on board



Our extensive marine grade range of faucets and showers ensure that there is a model to suit your boat. The range includes lightweight ABS faucets, high polished chrome finish models, compact and telescopic ranges all in a wide range of outlets. From galley to vanity through to wetbar and deck / transom washdown whale high quality faucets and showers are all manufactured to the highest standards.

The award winning Whale Twist® is a radical innovation in deck shower design including a patented handset with integrated flow and temperature control and innovative housings designed to be quickly and easily fitted where space is limited.

Faucets and Interior Showers

- ABS Tough Lightweight Elegance faucet range - Page 62
- Elegance Shower Range - Page 63

Deck/ Transom Showers

- Twist Deck Shower - Page 64-65
- Compact Swim 'n' Rinse - Page 66
- Swim 'n' Rinse - Page 67

Accessories

- See Freshwater accessories to complete the system - Page 68

Elegance Faucet Range

Lightweight and durable ABS faucets

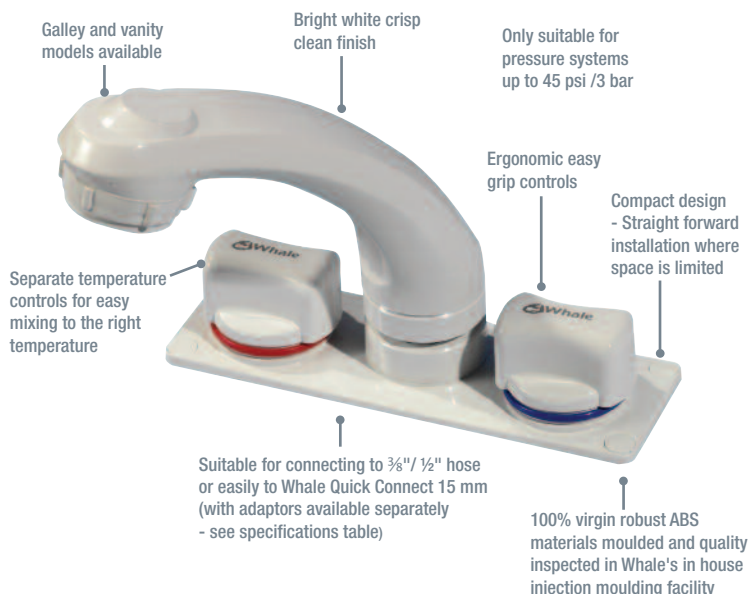
Ideal for tight spaces



RT1210
Elegance - Cold Only

Robust ABS Construction

- Designed for use with all types of galley pumps
- Easily connects to Whale Quick Connect 15 mm pipework to either 3/8" or 1/2" hose connections
- Choice of single or mixer faucets



Product Information

Model Specifications

Models - Retail	Single Faucet Cold Only	Mixer Faucet Standard Outlet
Product Code	RT1210	RT2210
Colour	White	
Hose Connections	1/2" Threaded Connection	
Materials in Contact With Fluid	Body: ABS, Spout and Valves: Acetal, Seals: Neoprene	
Base Plate (mm)	113 x 55 (4 7/16" x 2 1/8")	171 x 62 (6 3/4" x 2 7/16")
Depth Beneath Surface	60 mm (2 3/8")	60 mm (2 3/8")
Connection to Quick Connect 15 mm	WX1532	WX1532
Connection to 13 mm (1/2") Flexible Hose	WX1532 WX1584B	WX1532 WX1584B

Note: These specifications are retail items only.
For details of our bulk pack range for boat builders and wholesalers - contact Whale Support.

Note: only suitable for pressure systems up to 35 psi (2.4 bar)

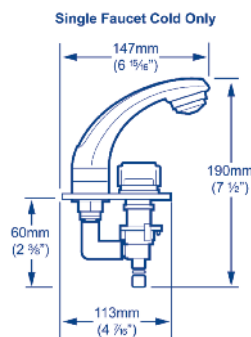
1 Year Warranty

COMPLETE YOUR SYSTEM

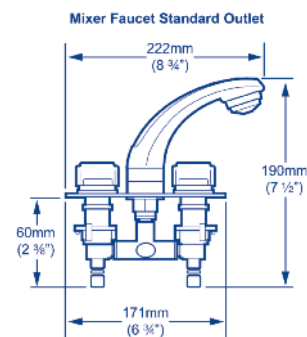
Freshwater system accessories such as water filters, and pipework connections - page 68

YOU MAY ALSO LIKE

- Whale Twist® - Deck Shower with integrated Temperature and Flow Controls - page 64-65
- Swim 'n' Rinse - deck shower - page 67
- Watermaster Automatic Pressure Pumps - page 46-47



Front View



Front View

Interior Showers - Elegance



Water saving rose allows temporary shut off - mix temperature and conserve water

Extra long 1.7 m / 5 9/16" retractable hose for neat installation

Easy to use controls

Only suitable for pressure systems up to 45 psi / 3 bar

Compact design - for straight forward installation where space is limited

Standard connections - 1/2" hose connections, also suitable for Whale Quick Connect 15 mm plumbing

Lightweight and Durable ABS showers

Marine grade materials
Ideal for tight spaces

1 Year Warranty

Robust ABS Construction

- Design for use with all types of galley pumps
- Connects to 3/8" or 1/2" hose connections
- Choice of single or mixer faucets

COMPLETE YOUR SYSTEM

Freshwater system accessories such as water filters, and pipework connections - page 68

YOU MAY ALSO LIKE

Whale Twist® - Deck Shower with integrated temperature and flow controls – page 64-65

Watermaster Automatic Pressure Pumps - page 46-47



Product Information

Model Specifications

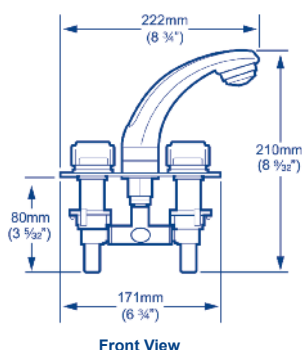
Model	Mixer Combination Faucet / Shower
Product Code	RT2498
Colour	White
Hose Connections	1/2" Threaded
Base Plate (mm)	171 x 62 (6 3/4" x 2 7/16")
Depth Beneath Surface	80 mm (3 1/8")
Connection to Quick Connect 15 mm Plumbing	WX1532
Connection to 13 mm (1/2") Flexible Hose	WX1532 WX1584B
Service Kits	AS5133 - Replacement Handset 1/2" BSP Threaded (white) AS5146 - Replacement Hose Assembly 1.7 m (5 9/16 ft) Long (white)

Note: These specifications are retail items only. For details of our bulk pack range for boat builders and wholesalers - contact Whale Support. 12 mm faucets are now replaced by 1/2" connections models see table. AS5123 - handset 12 mm, AS5145 12mm connection shower hose available.

Accessories

Product Code	Model
RT1770	Shower Riser Bar (for use with RT2498)
RT1270	Shower Wall Bracket (for use with RT2498)
RT9000	Replacement Microswitch Kit

Combination Faucet + Shower



Whale Twist® Deck Shower

Whale Twist® Deck Shower with integrated Temperature and Flow Controls

An award winning radical innovation in deck showers. The Twist puts control in your hands with its unique handset incorporating temperature and flow control in a single easy to use unit.

Putting control in your hands

Unique Whale Twist® Handset



Deck Protect® End Cap
Prevents damage to gel coat
Splash-proof seal

Easy clean
Clear nozzles

Ease of use
Twist control

Maintenance-free
Ceramic valve technology

Simple plumbing
Mixer Model: Patented D hose
Cold Only Model: Flexible hose

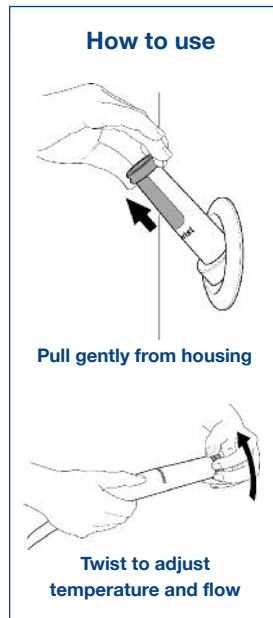


Long life
Marine-grade materials

Ease of Installation

- Compact unobtrusive housing
- Only one circular hole to cut and simple plumbing connection

Product codes:
DS0005 Cold only
DS0006 Mixer



Typical Installation

AWARD WINNING DESIGN
Institute of Designers in Ireland - Product Design Award

Accessories - For deck showers
AK0015 Twist Stowage Bag
- for neat stowage of DS0005/ DS0006

Note - this product is only suitable for use with 2.5 m (8.2 ft) hose Twist® models)



AK0015

Unique Integrated Handset

- Incorporates shower temperature and flow controls
- Easy to use-streamlined ergonomic design
- High quality UV resistant ASA materials

No Lids or Covers

- Deck Protect® End Cap creates a splash-proof seal

Mounts in Convenient Locations

- Housing options offer a choice of horizontal or vertical mounting on a flat or curved surface

Ease of installation

- The new Whale Twist® Deck Shower is quick and easy to install. It is available with either a chrome straight housing, or a white angled housing

Plumbing

- All Whale Twist® Deck Shower models are easy to plumb. Mixer models include a temporary shut off valve as standard.

1 Year Warranty

Award Winning Design

- IDI Award - Institute of designers in Ireland - Product design award winner
- DAME Innovation Awards 2007 - Special mention

COMPLETE YOUR SYSTEM

Freshwater system accessories such as water filters, and pipework connections - page 68

YOU MAY ALSO LIKE

Watermaster Automatic Pressure Pumps - page 46-47



Product Information

Model Specifications

Model	Whale Twist® DS0005 cold only	Whale Twist® DS0006 mixer hot & cold
Hose Description	Cold only flexible hose	Patented D Hose
Weight	130 g (0.3 lbs) / 200 g (0.45 lbs)	
Hose Length	2.1 m (6.9 ft)	2.5 m (8.2 ft)
Hose Connections	3/8" BSP Female / 15mm Quick Connect Male	1/2" threaded connections
Materials	Handset - ASA, Internal parts -TPE, Nitrile®, POM, Hose - Reinforced Polyurethane, Hose connections - PBT, End Cap - Chromed ABS, Straight Housing - Chromed ABS, glass-filled Polypropylene, Angled Housing - ASA, Screws and Hose Clips - Stainless Steel	

Whale Twist® Retail packed models (individual carton)

Product Code	Description
DS0005	Whale Twist® Deck Shower Cold only (Pale grey / white) with 2.1 m (6.9 ft) white hose. Includes straight housing (chrome) and angled housing (white) options
DS0006	Whale Twist® Deck Shower - Mixer (Pale grey / white) with 2.5 m (8.2 ft) white hose. Includes straight housing (chrome) and angled housing (white) options

Note: Retail packed models include plumbing connections for 15 mm Whale Quick Connect or 1/2" threaded

The Whale Twist® Deck Shower is protected by the following patent and design registration applications:

This product is protected by the following patents and patent applications: Australian Patent Application No. AU 2007 231705; European Patent Application No. EP 07 119 601.8; United States Patent No. US 7 753 291; Norwegian Patent Application No. NO 2007 5455; and New Zealand Patent No. NZ 562931.

Patents pending in Europe (EP 2171164, EP 2179095), the USA (US 20100288852, US 20100294861), and Australia (AU2008261206, AU 2008261207)

Registered Community Design Nos 000805957-0001/0002/0003

United States Design Patents USD 588683 & USD 583012

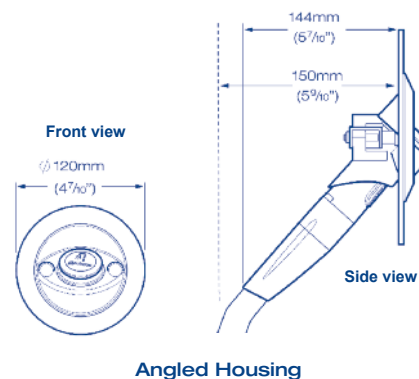
Canadian Registered Design Nos 124293 & 124294

Australian Registered Design Nos 319453 & 318959

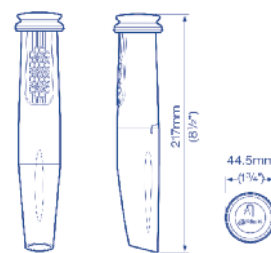
WHALE TWIST® and DECK PROTECT™ are trade marks of Munster Simms Engineering Limited (also trading as Whale Water Systems).

Note: These specifications are retail items only.

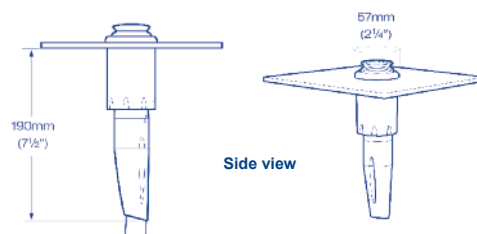
For details of our bulk pack range for boat builders and wholesalers - contact Whale Support.



Angled Housing



Handset



Straight Housing

Swim 'n' Rinse Compact Deck / Transom Shower

Whale Swim 'n' Rinse Compact Shower with Flexible Rubber Cover (cold only)

Ideal for installation where space is limited on deck and behind the bulkhead



Product code: see table

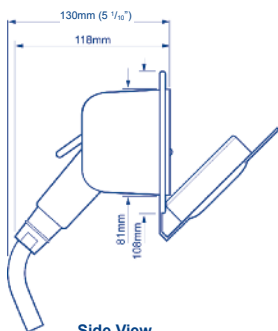


Save water on board – one touch trigger handset to conserve water during showering



Closed cover

Lightweight handset will not damage the gel coat if dropped on deck



Side View

RT3000

Whale Swim 'n' Rinse Compact Shower Rubber cover (cold only)

1 Year Warranty

Simply swim and rinse without wasting water

- Press trigger to only use the water you need
- Crisp and clean - chrome and white finish
- Extra long hose allows you to fit in most convenient location on deck
- Highest quality finish - stabilized PVC cover
- Simple installation - standard size circular holes to drill
- Standard connections - suitable for 3/8" BSP threaded connections/ Whale Quick Connect 15 mm plumbing

COMPLETE YOUR SYSTEM

Freshwater system accessories such as water filters, and pipework connections - page 68

YOU MAY ALSO LIKE

Whale Twist® - Deck Shower with integrated temperature and flow controls - page 64-65
Watermaster Automatic Pressure Pumps - page 46-47

Product Information

Model Specifications

Model	Swim 'n' Rinse Compact Shower Rubber cover (cold only)
Product Code	RT3000
Description	White and Chrome with angled holder and one touch trigger handset
Diameter of Mounting Hole	80 mm (3 1/8")
Hose Length	2.6 m (8.5 ft)
Hose Connections	3/8" adaptor x 1/2" female adaptor
Depth Behind the Surface	130 mm (5 1/16")
Weight	0.535 kg (1.18 lbs)
Materials	Internal components - Hostaform, stainless steel 304, housing UV stabilised Polypropylene, PVC Cover - UV stabilised PVC, fixings - stainless steel
To connect to Whale Quick Connect 15 mm Plumbing	WX1583B

Note: These specifications are retail items only.
For details of our bulk pack range for boat builders and wholesalers - contact Whale Support.
Maximum cold water pressure 2 bar (30 psi)

Swim 'n' Rinse Transom Shower

The classic design in deck showers for easy washdown on the transom after swimming. Simply swim and rinse without wasting water



1 Year Warranty

COMPLETE YOUR SYSTEM

Freshwater system accessories such as water filters, and pipework connections - page 68

YOU MAY ALSO LIKE

- Whale Twist® - Deck Shower with integrated Temperature and Flow Controls - page 64-65
- Swim 'n' Rinse Compact - deck shower - Ideal where space is limited on deck - page 66
- Watermaster Automatic Pressure Pumps - page 46-47

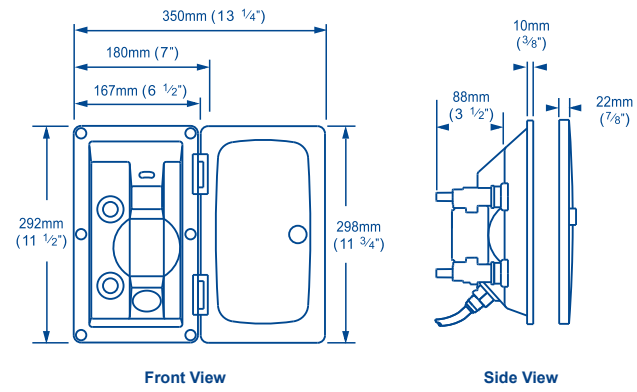
Lightweight and durable ABS exterior shower range - add a touch of luxury on board

- Designed for easy rinse down after swimming
- Fit in convenient locations on deck - extra long 2.1 m (7 ft) hose
- Save water on board - On/off control on shower handset allows you to set temperature and only use the water you need
- Neat hinged cover with latch to close
- White high shine finish matches the gel coat
- Available with/without cover
- Simple connection to either Quick connect 15 mm pipework/ 1/2" hose connection

i Product Information

Model Specifications	Cold Only (cover included)	Hot and Cold Mixer (no cover)	Hot and Cold Mixer (cover included)
Model	RT1649	RT2648	RT2658
Product Code	RT1649	RT2648	RT2658
Colour	White		
Base Plate	167 mm (6 1/2") X 292 mm (11 1/2")		
Depth Beneath Surface	88 mm (3 1/2")		
Hose Connections	1/2" Male Threaded (BSP / NPT)		
Connection to Quick Connect 15 mm Plumbing	Use WX1532 - Adaptor Female 1/2" - 15 mm		
Hose Length	2.1 m (7 ft)		

Note: These specifications are retail items only.
 For details of our bulk pack range for boat builders and wholesalers - contact Whale Support.
 Note: only suitable for pressure systems up to 45 psi /3 bar



Fresh Accessories

Complete Your System

Whale® high quality pumps and accessories to ensure long term reliability from pump to faucet.

Whale® water filters, surge dampers, pressure switches and one way valves are designed and manufactured with highest quality at heart. Combine these accessories with your whale water pump for a home from home water supply on board.

Need specific advice on your freshwater system? Contact our technical team at Whale support
See below for a full list of accessories

Inline Water Filters

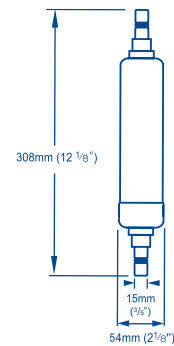
Aquasource Clear Water Filter - WF1530

For refreshing tasting water on board

- Silverised carbon filter - removes nasty tastes and smells
- Connects directly to 15 mm Quick Connect Plumbing/ ½" (13 mm) flexible hose (using stainless steel hose clips)
- Note - this is not a bacterial filter



WF1530



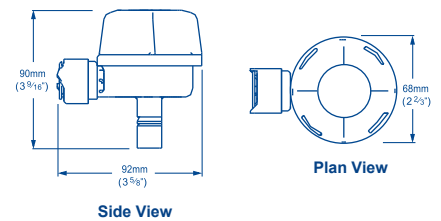
Pump Strainer

Inlet Strainer Replacement - AK1319

For use with Watermaster and Universal Pressure Pumps



AK1319



Inline Pressure Switch

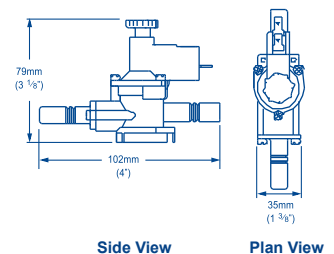
Inline Pressure Switch - WU7207

For use with submersible or in line self venting pumps in a pressurized water system

- Controls the pump by sensing changes in system pressure.
- Current rating = 10 amp: 12 V d.c. systems / 5 amp : 24 V d.c. systems
- Maximum Pressure: 2 bar (30 psi)
- Materials: body: acetal, seals and valves: Nitrile®, EPDM
- spring: phosphor bronze, fasteners: stainless steel
- Note: must be mounted in a vertical position



WU7207



Surge Damper - WS7215

For a smooth constant water supply

- Capacity = 150 ml (1/4 pint)
- Max. pressure 4 bar (60 psi)
- connects directly to 15 mm Quick Connect Plumbing/ 1/2" 13 mm flexible hose (using stainless steel hose clips)
- Note - connect as close to the outlet of the pump as possible or as close to the outlet side of the pressure switch (if fitted)



WS7215

Pipework Connections

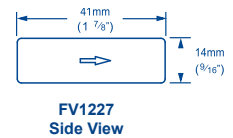
One Way Check Valve - FV1227 for 13mm (1/2") flexible hose (white)

fit in line to maintain prime for short periods

- Ideal for use with electric pumps
- Suitable for connection to 13 mm 1/2" flexible hose
- Ensure the valve is installed with the arrow pointing in direction of water flow
- Note - low restriction design will have a small drip return



FV1227



FV1227
Side View

Accessories for Taps and Showers

Microswitch Kit - RT9000 for Elegance range and Swim 'n' Rinse Showers page 62-63, 67



RT9000

Accessories - For Deck Showers

Twist Stowage Bag - AK0015 for neat stowage of DS0005 / DS0006 - page 64

Note - this product is only suitable for use with 2.5 m (8.2 ft) hose Whale Twist® models



AK0015



CAUTION

DISCONNECT THE POWER SUPPLY BEFORE REMOVING THE ACCESS COVER
RISK OF ELECTRIC SHOCK!
CONNECT BRANCH CIRCUIT EQUIPMENT GROUNDING MEANS TO WATER HEATER FOR DETAILED INFORMATION REFER TO INSTRUCTIONS

To Light

Heatup cycle

sol

Whale - Water Heater Range

For all your warm water needs on board



Water Heaters and accessories include high quality models ranging from 3 US gals to 28 US gals in a variety of styles and materials.

Whale® Water Heaters are built to the highest standards with many features to ensure safety on board. With integrated thermostat, pressure relief valve and temperature monitor you can be assured that safety is a priority. All heaters are made from marine graded materials to withstand harsh conditions.

12 V Water Heater - Ideal for outboard boats

Compact and lightweight 3 US gals capacity Water Heater which only requires 12 V power supply. Ideal for outboard boats delivering quick water heat up and long heat retention times for all your hot water needs on board.

- Unique 12 V Water Heater ideal for outboard boats (Available in UK, EU and USA) - Page 72-73

Water Heaters

- Available in The Americas Only Page 73-74

Note: All Whale Water Heaters must be installed and serviced by a qualified electrician in accordance with the Whale appliance installation and operating instructions and appropriate electrical regulations and certifications.

Whale 12 V Water Heater

Hot Water On the Go For Outboard Boats

Whale's unique 12 V Water Heater ideal for use on outboard boats. With 3 US Gal capacity the heater delivers fast water heat up and long heat retention for all your hot water needs on board

MAGNESIUM ANODE AND DRAIN VALVE COMBO INCLUDED FOR LONGER TANK LIFE

Heat Up Time

140° F / 60° C - 80 minutes
104° F / 40° C - 41 minutes*

Heat Retention

From 140° F / 60° C to 104° F / 40° C
10 hours, 8 minutes*

Control
- Relay allows low current switching at helm

Temperature Control
140° F Thermostat

Long Life
- Drain Valve and Magnesium Anodes

Performance
- Efficient 300 W element for hot water in less than 60 minutes*

Secure Installation
- Tank welded mounting brackets

Robust
- White Epoxy Coated Aluminum

Safety First
- Temperature and Pressure valve

Efficient
- Maintains hot water for up to 10 hours

Connectability
- Compatible with Whale Quick Connect Plumbing



12 V Power Supply - No Generator/ Inverter/ Shore Power Required

- **Rapid Heat Up**
- Hot water in less than 1 hour*
- **Ideal For Use With Deck Showers**
- Perfect for warming wetsuits
- **Safety Features**
- Low current switching
- Integrated temperature and pressure valve
- Thermal cut-out
- Heating Indication output
- Ignition protected (ABYC E-11)
- **Compact Design**
- Fits in small places

2 Year Warranty

YOU MAY ALSO LIKE

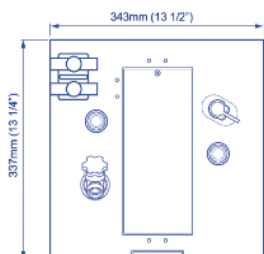
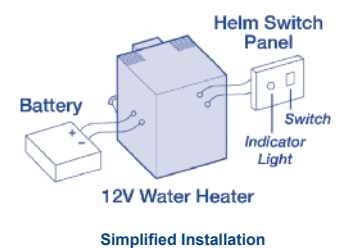
Watermaster Automatic Pressure Pumps – page 46-47
Whale Quick Connect plumbing - Pipe-work and fittings – page 82-85

Model Specifications

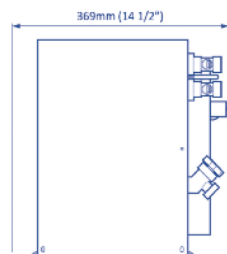
Product Code	S360EW
Capacity	3 US Gals (12 Ltrs)
Recommended Fuse Size	35 amps
Current Draw	30 amps
Electrical Supply	12 V d.c., 300 w
Maximum Water Temperature	140°F (60°C)
T&P Valve Specifications	210° F (99° C), 75 psi (5.2 bar)
Materials	Tank - ALCLAD Casing - White Aluminium
Maximum Tested Pressure	300 psi (20.7 bar)*
Connections	½" NPT Female
Weight	15 lbs (6.8 kg)

ABYC requirements 125 psi, H-23

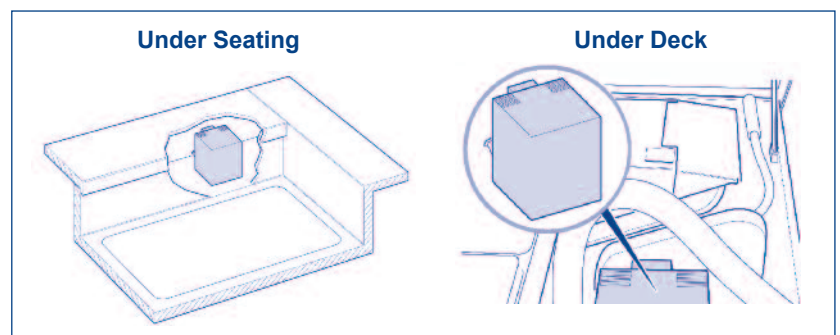
*Based on Whale in-house laboratory testing 2014



Front view



Side View



Typical Installation

Illustrations are for guidance purposes only. For advice on your specific installation requirements, please contact Whale Support.

Note: All Whale Water Heaters must be installed and serviced by a qualified electrician in accordance with the Whale appliance installation and operating instructions and appropriate electrical regulations and certifications.

Water Heaters

Wide Range of High Capacity Water Heaters

Water heaters designed for the marine environment in a range of capacities and material finishes

Available in The Americas only



Robust
- Marine grade materials
White epoxy coated, Stainless Steel or Marine Galvanised Steel

Multiple Options
- Range of capacities and heat exchanger options

Safety First
- Fixed temperature and pressure monitor for peace of mind

S300EW



White Epoxy Coated
Horizontal with Side Heat Exchanger Model



White Epoxy Coated
Horizontal Electric Only Model



Marine Galvanised Steel
Horizontal Rear Heat Exchanger Model



Stainless Steel
Front Heat Exchanger Model

Product Information

Model Specifications

Model		Capacity US Gals	Orientation	Heat Exchanger	PSI Rating	Overall Dimensions inches (W,D,H)	Exterior Material	Weights (lbs)
120 V	240 V							
S300W		11 lts (3 gal)	Horizontal	Side	100 psi	14.5" x 14" x 13"	White Epoxy	14
S300EW	S350EW	11 lts (3 gal)	Horizontal	Electric	100 psi	14.5" x 14" x 13"	White Epoxy	14
F600	F650	23 lts (6 gal)	Horizontal	Front	100 psi	13" x 19" x 13"	Marine Galvanized Steel	26
F600W	F650W	23 lts (6 gal)	Horizontal	Front	100 psi	13" x 19" x 13"	White Epoxy	26
	F650WSR	23 lts (6 gal)	Horizontal	Front	75 psi	13" x 19" x 13"	White Epoxy	26
F700	F750	23 lts (6 gal)	Horizontal	Front	100 psi	13" x 19" x 13"	Stainless Steel	24
S600	S650	23 lts (6 gal)	Horizontal	Rear	100 psi	13" x 19" x 13"	Marine Galvanized Steel	26
S600W	S650W	23 lts (6 gal)	Horizontal	Rear	100 psi	13" x 19" x 13"	White Epoxy	26
S600EW		23 lts (6 gal)	Horizontal	Electric	100 psi	13" x 19" x 13"	White Epoxy	26
	S650E	23 lts (6 gal)	Horizontal	Electric	100 psi	13" x 19" x 13"	Marine Galvanized Steel	26
	S650EW-3000	23 lts (6 gal)	Horizontal	Electric	100 psi	13" x 19" x 13"	White Epoxy	26
S700	S750	23 lts (6 gal)	Horizontal	Rear	100 psi	13" x 19" x 13"	Stainless Steel	24
S700E	S750E	23 lts (6 gal)	Horizontal	Electric	100 psi	13" x 19" x 13"	Stainless Steel	24

Note: All Whale Water Heaters must be installed and serviced by a qualified electrician in accordance with the Whale appliance installation and operating instructions and appropriate electrical regulations and certifications.

Combination Electric/Heat Exchanger Or Electric Only Models

- Capacities available 3,6,11,20 and 28 US Gals
- Robust manufacturing
 - Hold down brackets welded to inner tank
- Double wall heat exchangers
 - Prevents accidental contamination of freshwater supply
- Safety controls
 - Integrated pressure relief valve and temperature monitor
- Sturdy, robust exteriors
 - Produced from marine grade stainless steel or epoxy coated
- Ignition protected
- Available in The Americas only

2 Year Warranty

Model Specifications

Model		Orientation	Heat Exchanger	Capacity (US Gals)	PSI Rating	Overall Dimensions inches (W,D,H)	Exterior Material	Shipping Weight (lbs)
120 V	240 V							
F1100	F1150	Horizontal	Front	11	100 psi	16"x 22" x 16"	Marine Galvanized Steel	34
F1100W	F1150W	Horizontal	Front	11	100 psi	16"x 22" x 16"	White Epoxy	34
	F1150WSR	Horizontal	Front	11	75 psi	16"x 22" x 16"	White Epoxy	34
F1200	F1250	Horizontal	Front	11	100 psi	16"x 22" x 16"	Stainless Steel	32
S1100	S1150	Horizontal	Rear	11	100 psi	16"x 22" x 16"	Marine Galvanized Steel	34
S1200	S1250	Horizontal	Rear	11	100 psi	16"x 22" x 16"	Stainless Steel	32
	H2050	Horizontal	Rear	20	100 psi	16"x 32" x 16"	Marine Galvanized Steel	48
	H2050EW	Horizontal	Electric	20	100 psi	16"x 32" x 16"	White Epoxy	48
	H2050EW-3000	Horizontal	Electric	20	100 psi	16"x 32" x 16"	White Epoxy	48
	H2050EW-4500	Horizontal	Electric	20	100 psi	16"x 32" x 16"	White Epoxy	48
H2200		Horizontal	Rear	20	100 psi	16"x 32" x 16"	Stainless Steel	47
	H2250E	Horizontal	Electric	20	100 psi	16"x 32" x 16"	Stainless Steel	47
HF2000	HF2050	Horizontal	Front	20	100 psi	16"x 32" x 16"	Marine Galvanized Steel	48
HF2200	HF2250	Horizontal	Front	20	75 psi	16"x 32" x 16"	Stainless Steel	47
S1800	S1850	Vertical	Front	20	100 psi	20.25"x 20" x 27"	Marine Galvanized Steel	46
S1800W	S1850W	Vertical	Front	20	100 psi	20.25"x 20" x 27"	White Epoxy	46
	S1850EW	Vertical	Electric	20	100 psi	20.25"x 20" x 27"	White Epoxy	46
	S1850WSR	Vertical	Front	20	75 psi	20.25"x 20" x 27"	White Epoxy	46
S1900	S1950	Vertical	Front	20	100 psi	20.25"x 20" x 27"	Stainless Steel	45
S1900E		Vertical	Electric	20	100 psi	20.25"x 20" x 27"	Stainless Steel	45
	H2850ES-3000	Horizontal	Electric	28	100 psi	16"x 40" x 16"	Stainless Steel	59
	H2850ES-4500	Horizontal	Electric	28	100 psi	16"x 40" x 16"	Stainless Steel	59
	H2850EW-3000	Horizontal	Electric	28	100 psi	16"x 40" x 16"	White Epoxy	59
	H2850EW-4500	Horizontal	Electric	28	100 psi	16"x 40" x 16"	White Epoxy	59

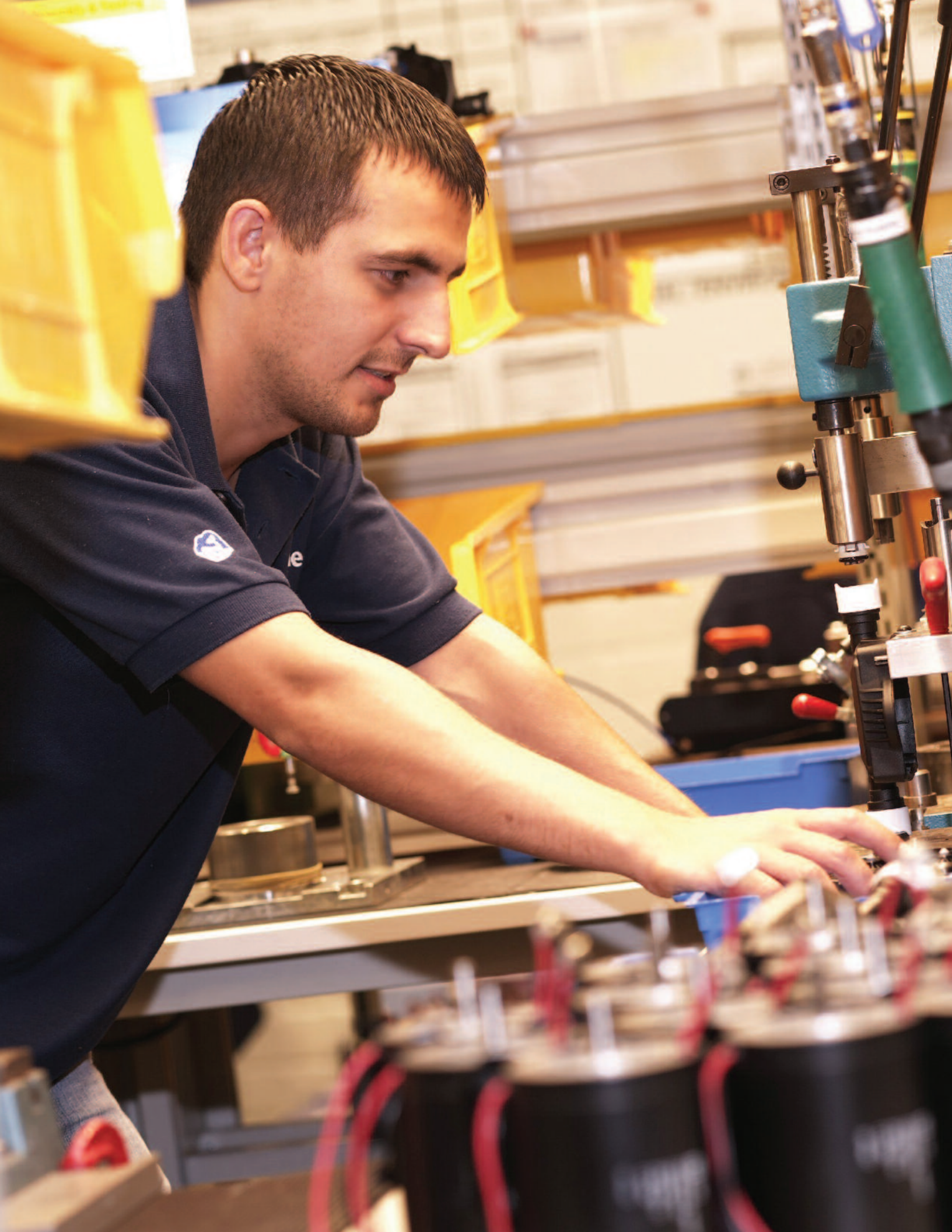
NOTE: All models in available in The Americas only.

S300W - 1250W element and requires a 15A Circuit Breaker

3000 and 4500 models have a 3000W and 4000W element respectively and requires a 15A Dual Breaker (3000) or 20A Dual Breaker (4500)

All other models have a 1500W element and require a 15A Circuit Breaker (120V) or 10A Dual Breaker (240V)

Note: All Whale Water Heaters must be installed and serviced by a qualified electrician in accordance with the Whale appliance installation and operating instructions and appropriate electrical regulations and certifications.



Whale - Wash Down Range



Our washdown pumps have been refined, tested and proven for decades. Easy to use products that deliver great performance to washdown your deck.

Washdown

- Saltwater Washdown Kit - High capacity washdown pumps and trigger handset kits - Page 78-79

Portable Washdown and Boat Cleaning

- Portable Pump Kit - The versatile solution for deck washdown or boat cleaning - Page 80

Accessories

- Complete the system - Page 68

Saltwater Washdown Kit

Saltwater Washdown pump and trigger kit

Pump and trigger handset in one easy fit kit delivers high pressure targeted flow

Product code: see table

Easy to use trigger handset

High capacity pressure pump

Adaptable 4 feet rotate to suit existing installation

Easy maintenance strainer with clear lid for inspection prevents debris from entering the pump

Straight forward installation connects directly to Quick Connect /19 mm (3/4") flexible hose / 12.5 mm (1/2") flexible hose. No extra connectors needed

TRIGGER

- Trigger handset with adjustable jet and lockable lever
- Lock/unlock lever to conserve water
- Comfortable trigger design
- Simple push in hose fitting with dry decoupling valve

PUMP (also available separately)

- High pressure pump - smooth constant flow
- Self-priming up to 3 m (10 ft)
- Internal pressure switch - Extra protection and safety with wires
- Pumps universal mounting arrangement fits any existing installation
- Suitable for use with saltwater and freshwater
- Reliability - Runs dry without damage

2 Year Warranty

Awards and Accreditations

- IP65 rated
- CE marked
- ISO 8846

COMPLETE YOUR SYSTEM

See page 68 for freshwater system accessories

YOU MAY ALSO LIKE

Twist Deck Shower with integrated temperature and flow controls - page 64-65

Portable pump kit - page 80



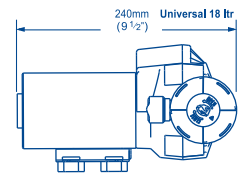
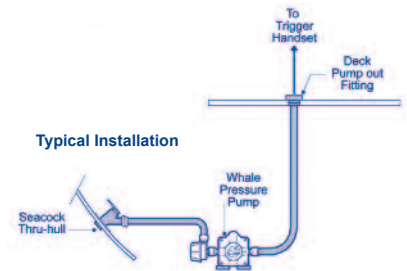
Product Information

Performance Data

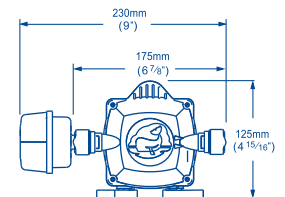
Model	Washdown pump and trigger kit (12 V d.c.)	Washdown pump and trigger kit (24 V d.c.)	Washdown Pump 18 ltr (4.8 US gals) (12 V d.c.)	Washdown Pump 18 ltr (4.8 US gals) (24 V d.c.)
Product Code	WD1815	WD1825	UF1815	UF1825
Flow Rate / min	18 ltrs (4.8 US gals)			
Voltage	12 V d.c.	24 V d.c.	12 V d.c.	24 V d.c.
Recommended Fuse Size (automotive)	12 amps	8 amps	12 amps	8 amps
Weight	3.2 kg (7 lbs)		2.9 kg (6.4 lbs)	
Inlet/ outlet size	3/4" / 19 mm male thread			
Handset connections	Click fit trigger- snap in joint with flow lock/ dry link coupling		n/a	
Cut out pressure	3 bar (45 psi)			
Semirigid pipework system connections	For Quick Connect 15 mm Use WX1542 (included)			
Additional fittings	3/4" Flexible Hose adaptors qty 2 and 1/2" Flexible Hose adaptors qty 2 (included)			
Materials	Pump Body: Glass-filled Polypropylene, Motor Casing: Aluminium, Power-coated Steel Diaphragm - Santoprene, Valves, Feet: Monprene®, Seals: Nitrile®, Fasteners: Stainless Steel			
Materials in contact with fluid	Glass filled polypropylene, Monprene®, Santoprene®, Nitrile®, stainless steel			
Service Kits	Replacement head service kit AK1316 (available separately) Strainer replacement AK1329, Microswitch AK1317			
Maximum Wire Size	2.5 mm ² (13 AWG)			
Maximum Discharge head	30 m (98 ft)			
Maximum lift	3 m (10 ft)			

Note: These specifications are retail items only.

For details of our bulk pack range for boat builders and wholesalers - contact Whale Support.



Side View



Front View

Portable Pump Kit

The Versatile Portable Pumping Solution!

Self-Venting Portable Pump Kit

- Wash down your boat with ease
- Great performance and low voltage pump
- Easy to maintain with a wipe clean hose and nozzle
- Suitable for cold and warm water, diesel, light oils and water-based fluids including most water-based pesticides

The kit now includes

- Low voltage high flow submersible pump
- Nozzle with adjustable on / off, fine spray or a jet of water
- 3.75 m (12.5 ft) food quality clear hose



1 Year Warranty



Awards and Accreditations

- CE marked

COMPLETE YOUR SYSTEM

See page 66 for freshwater system accessories

YOU MAY ALSO LIKE

Twist Deck Shower with integrated temperature and flow controls - page 64-65

Saltwater Washdown Pump and trigger kit - page 78-79



WARNING

Note: Not suitable for petrol, low flash point liquids and aggressive chemicals. This pump must not be used for pumping petrol or any highly inflammable or corrosive liquids.



Product Information

Model Specifications

Model	Self Venting Portable Submersible Pump Kit
Product Code	GP1642
Voltage	12 V d.c.
Rec. Fuse Size	5 amps automotive
Power Connection	Crocodile Clips and Cigar Lighter Plug
Weight	0.70 kg
Materials	Stainless Steel, Nitrile®, PVC, Polypropylene, ABS Plastics

Performance Data

Head	Flow Rate and Current Draw
0 m (0 ft)	15.8 ltrs / min (3.8 amps)
1 m (3 ft)	12.8 ltrs / min (3.5 amps)

Note: These specifications are retail items only.

For details of our bulk pack range for boat builders and wholesalers - contact Whale Support.

Watertight Locker Doors / Deck Hatches

1 Year Warranty

Keep storage areas dry with our watertight robust designs - tried, tested and trusted for decades



LD2000



LD3000



LD4000



LD4002

YOU MAY ALSO LIKE

Twist Deck Shower with integrated temperature and flow controls - Page 64-65

Provide Easy Access To Storage Space

Watertight seals

Aluminium Models - Suitable For Sandy Environments

TCL2

- Robust aluminium construction with locking lever ideal for harsh marine environments

TCL3

- Robust aluminium ring with durable plastic cover
- Ideal for narrow bulkheads
- Quick release camlock cover allows easy access to storage areas

Polycarbonate Models

TCL 4

- Reliable watertight seal
- TCL 4 Clear - allows easy inspection without having to open the locker



Product Information

Model Specifications

Model	TCL2	TCL3	TCL4	TCL4 Clear
Product Code	LD2000	LD3000	LD4000	LD4002
Diameter	228 mm (9")	Not Applicable	228 mm (9")	228 mm (9")
Aperture	179 mm (7")	143 mm x 82.5 mm (5 5/8" x 1/4")	179 mm (7")	179 mm (7")
Materials	Body: Diecast Aluminium Alloy Seal: Nitrile®		Body: Polycarbonate Locking Ring: Acetal Seal: Nitrile®	

Note: These specifications are retail items only.

For details of our bulk pack range for boat builders and wholesalers - contact Whale Support.

Maximin exterior pressure 0.2 bar

What the customers say

"Your deck hatches did the job perfectly, our deck storage areas stayed perfectly dry..."

Cath Allaway – Extreme Rowing Expedition

Plumbing Systems

Quick Connect Plumbing System

Whale Quick Connect fittings ensure a high integrity, reliable, plumbing system solution, specifically designed for use in mobile applications.

Save Time and Money by Using Whale Quick Connect

Fittings and pipework design ensures easy installation and re-usability of components. The simple two step installation procedure does not require special tools to make a watertight connection.

- Unique 'Double Gripper' design provides secure lifelong pipework retention even at excessive pressures
- The innovative 'cage collet' eliminates leaks where fittings are installed close to tight bends
- Collet has internal support ring ensuring o ring seal is held in position and does not distort or leak under pressure
- High integrity single piece moulding improves the strength of the fittings
- Outer sleeve incorporates collet cover, thus preventing accidental pipework release
- Collet clips are not necessary and therefore reduce installation time
- Pipework includes measured cut marks, designed to be a visual guide to ensure that fittings are pushed fully home

Whale Quick Connect Semi-Rigid Pipework

Whale Quick Connect colour coded semi-rigid pipework is available in 12 mm, 15 mm, and 22 mm sizes in standard or high performance (Whalex) PE materials. The pipework's flexibility enables tight bends to be formed, hence reducing both the number of fittings and time required at installation. Whale Quick Connect semi-rigid pipework offers the integrity of metal, but the usability of plastic, and is fully tested and recommended for use with the complete range of Whale fittings (see pages 84-85).

Minimum Bend Radii Recommendations

All grades of Whale Quick Connect semi-rigid pipework are flexible and can be bent into a tight radius to facilitate easy installations. This reduces the number of fittings required and the cost of the total water system.

Whale Tubing	Minimum Bend Radius
15mm	75mm

Installation Guide

Step 1 Cut pipework to length by making a straight clean cut using Whale cutters WX7950 (WX7951-USA only) (see **fig.1**)

Step 2 Simply push the pipework length into the fitting to the second internal stop (see **fig. 2**)

Step 3 To release pipework: Push back the grey collet into the fitting, then hold the collet in and pull out the pipework length (see **fig. 3 and 4**)



Fig 1



Fig 3



Fig 2



Fig 4

This product is protected by the following granted patents: United States Patent No. US 6,349,978; German Patent No. 69810350.5 (EP(DE) 1 032 785); French Patent No. FR 1 032 785; United Kingdom Patent No. GB 2 331 564; and Dutch Patent No. NL 1 032 785.

The Whale Quick Connect products are protected by the following patents UK Patent Number: 2331564, European Patent Number: 1032785 USA Patent Number: 6349978

Materials	
Whale Quick Connect Fittings	Glass-filled Polypropylene
Whale Quick Connect Pipework	Polyethylene

Recommended Maximum Operating Conditions	Maximum Pressure	Maximum Temperature
	Hot Water	6 bar (90 psi)
Cold Water	12 bar (180 psi)	20°C (68°F)

Minimum Bend Radius	
Quick Connect 15 mm Pipework	75 mm

Minimum Storage Temperature

The minimum dry storage temperature is -40 °C (-40 °F)

Note: It is vital that the system is fully winterized to prevent frost damage.



WARNING

WARNING: Temperature Settings – To prevent scalding, (regardless of the water heating method or the control devices used), the temperature for the hot water supplied to the faucets and showers should be controlled in the range of 50 °C to 60 °C (110 ° F to 140 ° F) with a fail safe set at 82 °C (180 °F).

CAUTION: Ideally, the temperature should be set at 46 °C (115 °F) for health and safety reasons, higher settings will increase the risk of scald injury. Those at greatest risk of scald injury include children, the elderly, disabled, and diabetics.

Fail Safe Controls



WARNING

WARNING: In a typical marine installation, it is vital to incorporate primary and fail safe controls for water temperature and pressure. Please see list below:

PRIMARY CONTROLS:

Thermostatic Mixer Valve: WX1599B

Pressure Switch: WU7207(B) - In-Line Pressure Switch or included in the Universal Pressure Pump (see page 66)

Pressure Regulator: WX1595B - Pressure Relief Valve - 6 bar 1/2" Female

Expansion Vessel: Accumulator Tank

FAIL SAFE CONTROLS:

WX1595B - Pressure / Temperature Relief Valve

For typical installation of these necessary controls see page 47

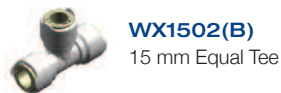
For a full list of our part numbers see pages 84-85

For advice on specific installation requirements contact Whale - see contact details

Note: The patented Whale Plumbing System is specifically designed to be use in "mobile" applications. Whale Quick Connect fittings and Whalex pipework (only) are covered for 10 years from date of purchase (except WX1599B which is covered by 1year warranty). For use with Whale plastic tubing and grooved stems only.

Quick Connect Pipework and Fittings

15 mm



WX1502(B)
15 mm Equal Tee



WX1503(B)
15 mm Equal Elbow



WX1504(B)
15 mm Equal Straight



WX1508B
End Plug (Brass)



WX1509B
Stem Adaptor 12 mm - 15 mm



WX1511B
Stem Adaptor 11 mm - 15 mm



WX1520B
Adaptor 15 mm Female
15 mm Compression Fitting
(Brass)



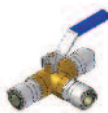
WX1521(B)
Stem Tee



WX1522(B)
Stem Elbow



WX1546B
End Stop



WX1571(B)
3 Way Valve (Brass)



WX1573B
Shut-off Valve (Brass)



WX1574(B)
Shut-off Valve



WX1575B
Stem Shut-off Valve (Brass)



WX1576B
Stem Shut-off Valve



WX1577B
Stem Ice Maker Fitting (Brass)



WX1578B
Stem Ice Maker Fitting With
15 mm Equal Tee (Brass)



WX1582(B)
Check Valve - Non Return
Valve (Brass)

Threaded 3/4"



WX1516B
Adaptor 3/4" BSP Male



WX1542(B)
Adaptor 3/4" BSP Female



WX1552B
Adaptor 3/4" Garden Hose Thread
(Green) Female

Threaded 3/8"



WX1538 / WX1538(B)
Adaptor 3/8" BSP Female



WX1539B
Stem Adaptor 3/8" Female (Brass)



WX1563(B)
Stem Adaptor 3/8" NPT Male (Brass)



WX1583B
Adaptor 3/8" BSP Male

Threaded 1/2"



WX1080B
Adaptor 1/2" BSP Male - 10 mm
Compression Fitting (Brass)



WX1513B
Adaptor 1/2" NPT Male (Brass) -
15 mm



WX1514B
Adaptor 1/2" BSP Male - 15 mm



WX1515(B)
Faucet Tail Assembly Adaptor 1/2"
BSP Male - 15 mm



WX1519B
Flexible Heater Connector 1/2" NPT
Male 1/2" BSP Female
Length - 350 mm (14")



WX1524(B)
Stem Adaptor 1/2"
NPT Male (Brass)



WX1531(B)
Elbow Adaptor 1/2" BSP
Female - 15 mm



WX1532(B)
Adaptor 1/2" Female - 15 mm



WX1533B
Adaptor 1/2" BSP Female (Brass) -
15 mm



WX1534(B)
15 mm Stem with None Return Valve
Adaptor 1/2" NPT Male (Brass)



WX1536B
Adaptor 1/2" BSP (Green)
(Short Wings) Female



WX1567B
1/2" NPT Male - 1/2" BSP Male
Shower Bulkhead Adaptor (Brass)



WX1587(B)
Stem Adaptor 1/2"
BSP Male - 15 mm

Part Numbers Explanation:

B Suffix: refers to items available only in bulk packed quantities for high volume production OEM use
(B) Suffix: refers to items available in either retail packaging (e.g. WX1502) or in bulk packed quantities for high volume production OEM use (e.g. WX1502B).

Note: All brass connectors are lead-free as per USA federal regulations

Flexible Hose Fittings 1/2"

WX1544(B)
1/2" Hose Connector (Brass)

WX1584(B)
Stem Adaptor 1/2"
Flexible Hose Male

WX1585B
Tee 1/2" barb X 1/2" barb X 1/2" barb

WX1586B
Tee 1/2" barb X 15 mm WX X 1/2" barb

WX1591(B)
Stem Elbow 1/2" Flexible Hose

Flexible Hose Fittings 3/4"

WX1555B
Tee 3/4" barb X 3/4" barb X 3/4" barb

WX1556B
Tee 3/4" barb X 15 mm WX
X 3/4" BARB

WX1557B
Tee 3/4" barb X 1/2" barb X 3/4" barb

WX1558B
Tee 1/2" barb X 1/2" barb X 3/4" barb

WX1592(B)
Stem Elbow 3/4" Flexible Hose

WX1593(B)
Stem Adaptor 3/4" Flexible Hose

WX2259B
Adaptor 22 Spigot X 3/4" barb

Other Connections

WX1517B
3/16" X 24 UNEF Male Faucet Tail
Adaptor (Brass) suitable for Gröhe
Faucets

WX1535B
Stem Adaptor 1/8" Hose (Brass)
for Windsreen Washer

WX1537B
Stem Adaptor 1/4"
NPT Female (Brass)

WX1566B
Tank Fitting Assembly

WX2260B
End Stop 22 mm Spigot

WX1528(B)
Adaptor 5/8" - 15 mm

Plumbing Safety Fittings

WX1595B
Pressure Relief Valve – 6 bar
1/2" Female

WX1599(B)
Thermostatic Mixer Valve 1/2" Male
(Brass) 15 mm and Check Valve /
Non-Return Valve
Note: This product is covered by 1
year warranty

Flexible Hose Fittings Other

WX1548B
3/8" Hose Connector (Brass)

WX1597(B)
Stem Adaptor 5/8" Flexible Hose

Colour Coded Tubing

WX7152
Standard Semi-Rigid Pipework
15 mm Blue 10 m (33 ft)

WX7152B
Standard Semi-Rigid Pipework
15 mm Blue 50 m (164 ft)

WX7154
Standard Semi-Rigid Pipework
15 mm Red 10 m (33 ft)

WX7154B
Standard Semi-Rigid Pipework
15 mm Red 50 m (164 ft)

WX7156
Standard Semi-Rigid Pipework
15 mm Green 10 m (33 ft)

WX7156B
Standard Semi-Rigid
Pipework 15 mm Green 50 m (164 ft)

WX7162B
WHALEX Semi-Rigid Pipework 15 mm
High Performance Blue 50 m (164 ft)

WX7562B
WHALEX Semi-Rigid Pipework 15 mm
High Performance Blue 152 m (500 ft)

WX7164B
WHALEX Semi-Rigid Pipework 15 mm
High Performance Red 50 m (164 ft)

WX7564B
WHALEX Semi-Rigid Pipework 15 mm
High Performance Red 152 m (500 ft)

WX7166B
WHALEX Semi-Rigid Pipework 15 mm
High Performance Green 50 m (164 ft)

WX7168B
WHALEX Semi-Rigid Pipework 15 mm
High Performance White 15 m (49.2 ft)

Tools

WX7950
Pipework Cutters - must be used to cut
Whale Semi-Rigid Pipework

WX1569B
Pipework Mounting Clip (White)
WX1565(B)
Pipework Mounting Clip (Black)

WHALEX Pipework is NSF61 listed and has the benefits of a more scratch-resistant surface and greater durability.



Whale - Grey / Shower Waste

Electric Grey Waste Pumps and Tank Systems



Whale's Gulper Pumps for shower / grey waste have led the way for more than a decade in durability and non-clog valve technology - truly a fit and forget solution for shower waste. Our full range includes pumps and tanks and pre-assembled kits.

Electric Grey Waste Pumps

Whale Gulper non clog electric grey waste pumps are proven to be reliable and able to handle typical shower waste such as hair and shower gel. No filters to clog - proven performance for the long haul.

Multi-port Polyethylene Tanks

These roto-moulded tanks are hard wearing, and durable, can handle grey waste from multiple drains, but are also compact enough to fit in confined spaces. They are designed for easy installation with Gulper waste pumps to ensure a robust solution to managing sink, shower or dishwasher waste.

Electric Grey Waste Pumps

- Grey IC - Page 88 - 89
- Gulley IC - Page 90 - 91
- Gulper 320 - Page 92 - 93
- Gulper 220 - Page 94 - 95

Grey Waste Tank Range

- New range with Intelligent Control sensor technology - Page 96

Pre-assembled tank and pump

- High Capacity Grey waste tank and pump systems -100 ltrs with Gulper - Page 100
- Grey waste tank and pump systems - 8 ltrs with Gulper - Page 98

Accessories

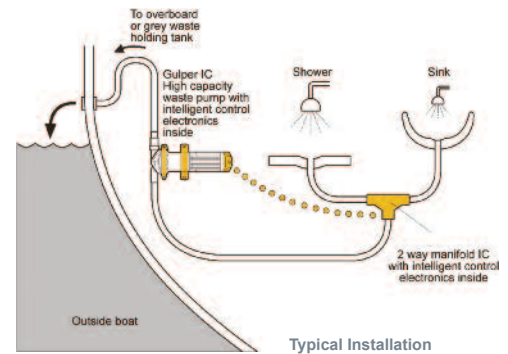
Complete the system with pipework elbows, Y pieces, and or non-return valves -Pages 102 - 103

Grey IC



Automatic Grey Waste System - manages waste from multiple drains

Whale Grey IC shower waste systems have intelligent control electronics built in ensuring that the pump operates only when required. Includes Gulper® IC and 1" (25 mm) Two Way Manifold IC with 4 m (12 ft) of cable



Unique Intelligent Control means that Grey IC Kit is all you need to manage waste from multiple drains through one pump

Electrical signals are sent from the Two Way Manifold IC only when waste water needs to be pumped out



**9 seconds run on
clears waste from
shower tray***

*Please note:- drain down level is installation dependent
- figures stated are based on typical installation Whale laboratory tests

One pump automatically handles waste from your shower on board - no manual switches required

- Ideal for installation where you don't have space for a grey waste tank
- Easy installation - pre wired plug and play kit
- Reliability - No moving parts to clog

Gulper IC - Automatic control

- One pump handles waste from multiple drains
- Fast drainage - high capacity up to 19 ltrs (5 US gals) /min
- Long life - Self primes and can run dry
- Soft start - protects the pump
- Easy to install - including uneven surfaces
- Optimal drainage - Built in time delay
- Low current controlled switching - no switch failure from high currents

Two Way Manifold IC

- Fully automatic handles waste from multiple drains as required.
- Senses waste level through wall - not in contact with water
- Removes the need to install a bulky grey waste tank
- Service free - No moving parts to clog or burn



Product Information

Model Specifications

Model	Grey IC	
	WM8284	WM8484
Product Code	WM8284	WM8484
Voltage	12 V d.c.	24 V d.c.
Voltage Range	10 to 13.6 V d.c.	21.6 V d.c. to 27.2 V d.c.
Current Profile	Soft stop/ start	
Recommended Fuse Size (Automotive)	10 amps	5 amps
Minimum Wire Size	1.5mm (16 AWG)	
Weight	1.6 kg (3.5 lbs)	
Maximum Suction Lift	3 m (10 ft)	
Maximum Discharge Head	3 m (10 ft)	
Maximum Discharge Head and Suction Lift Combined	4 m (12 ft)	
Hose Connections	barbed connections 3/4" (19 mm) and 1" (25 mm)	
Materials	Pump head- Glass-filled Nylon, Valves, and Diaphragm - Santoprene®, clamp ring Acetal, Feet - EPDM, Gear wheel- Delrin®, fasteners Stainless Steel	
Materials in contact with fluid	Glass-filled Nylon, Santoprene®, Stainless Steel	
Service Kit (available separately)	AK2050- Replacement Pump Head IC	
Accessories	none required	
Run on time	9 seconds	

Performance Data

Suction Lift	0 m (0 ft)	0 m (0 ft)	1 m (3 ft)	1 m (3 ft)
Discharge Head	1 m (3 ft)	1 m (3 ft)	1 m (3 ft)	1 m (3 ft)
Hose Size	3/4" (19 mm)	1" (25 mm)	3/4" (19 mm)	1" (25 mm)
Flow Rate/ Minute	19 ltrs (5 US gals)	17.5 ltrs (4.6 US gals)	17.4 ltrs (4.5 US gals)	15.5 ltrs (4.1 US gals)
Current Draw (12 V d.c.)	7.5 amps	8 amps	7.5 amps	8 amps
Current Draw (24 V d.c.)	3.25 amps	4 amps	3.25 amps	4 amps

Note: These specifications are retail items only.

For details of our bulk pack range for boat builders and wholesalers - contact Whale Support.

3 Year Warranty

Tips

It is important to ensure that a vented anti-syphon loop is incorporated in the system

Awards and Accreditations

- DAME Innovation Award 2010 - Special Mention.
- Ignition protection ISO8846
- CE marked
- IP45 rated

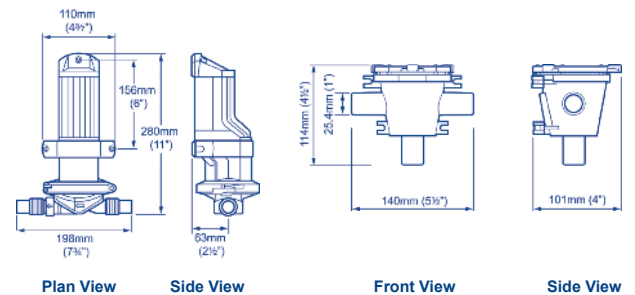


COMPLETE YOUR SYSTEM

See Page 102 - 103 for Grey waste accessories

YOU MAY ALSO LIKE

Gulley IC- Automatic Grey waste pump kits with Gulley IC - automatic intelligent control built in - page 90-91



Model Specifications

Manifold IC	
Cable Length	4 m (12 ft)
Hose Connections	1" (25 mm)
Control Voltage	5 V d.c. via Gulper® IC
Current Draw	Low power 0.01 amps supply
Connectors	IP68 Waterproof Quick Connect 7 way (directly onto Gulper® IC)

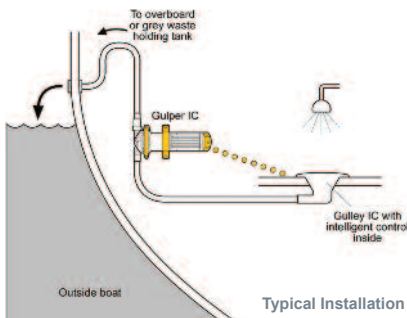
Gulley IC



High capacity automatic shower waste system - One pump manages waste from a single drain

Intelligent control electronics built in ensure that the pump operates only when required. Includes Gulper IC® electric waste pump and Compact Gulley IC with 4 m (12 ft) cable for easy installation.

Electrical signals are sent from Gulley IC only when grey waste water needs to be pumped out. Fully automatic shower gulley drains waste away.



Compact gulley design senses waste level and controls pump



*Please note:- drain down time is installation dependent
- figures stated are based on typical installation
Whale laboratory tests 2011

Automatic Control - Gulley IC Senses The Grey Waste Level And Sends Signals To Gulper IC To Turn Off And On As Required

- One pump automatically handles waste from your shower on board - no manual switches required
- Ideal for installation with limited space for a grey waste tank

Gulper IC - Electric Non clog Electric Grey Waste Pump with intelligent control

- Easy installation - pre wired plug and play kit
- Reliability - No moving parts to clog
- Long life- Self primes and can run dry
- Soft start - protects the pump
- Protected against water ingress – fully potted circuitry
- Low current controlled switching - no switch failure from high currents
- Fast drainage - high capacity up to 19 ltrs (5 US gals) /min
- Optimal drainage - Built in time delay

Gulley IC

- Compact single shower gulley with integrated intelligent control
- Easy clean cover and sleek design
- Protected against water ingress - fully potted circuitry
- Quiet drainage

3 Year Warranty

Tips

It is important to ensure that a vented anti-syphon loop is incorporated in the system

Awards and Accreditations

- IBEX Innovation Award 2010
- DAME Innovation Award 2010 - Special Mention



Awards and Accreditations

- Ignition protection ISO8846.
- CE marked.



COMPLETE YOUR SYSTEM

See Page 102 - 103 for Grey waste accessories

YOU MAY ALSO LIKE

Grey IC - Automatic Grey waste pump kits with Manifold IC - for automatically managing waste from 2 waste outlets - page 88-89



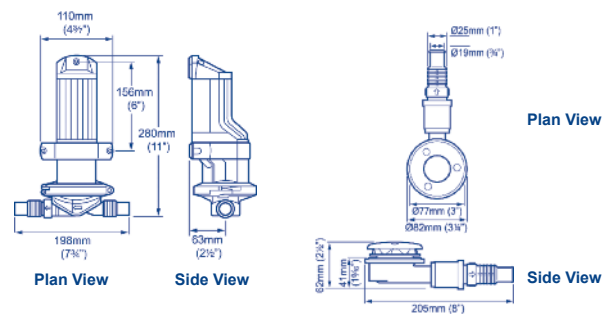
Product Information

Model Specifications

Model	Gulper IC	
Product Code	SG8284	SG8484
Voltage	12 V d.c.	24 V d.c.
Voltage Range	10 to 13.6 V d.c.	21.6 V d.c. to 27.2 V d.c.
Current profile	Soft stop/ start	
Recommended fuse Size (Automotive)	10 amps	5 amps
Minimum Wire Size	1.5 mm (16 AWG)	
Weight	1.6 kg (3.5 lbs)	
Maximum Suction Lift	3 m (10 ft)	
Maximum Discharge Head	3 m (10 ft)	
Maximum Discharge Head and Suction lift Combined	4 m (12 ft)	
Hose Connections	Barbed connections 3/4" (19 mm) and 1" (25 mm)	
Materials	Pump head- Glass-filled Nylon, Valves, and Diaphragm - Santoprene®, clamp ring Acetal, Feet - EPDM, Gear wheel- Delrin®, fasteners Stainless Steel	
Materials in Contact with Fluid	Glass-filled Nylon, Santoprene®, Stainless Steel	
Service Kit (Available separately)	AK2050- Replacement Pump Head IC	

Performance Data

	0 m (0 ft)	0 m (0 ft)	1 m (3 ft)	1 m (3 ft)
Suction Lift	0 m (0 ft)	0 m (0 ft)	1 m (3 ft)	1 m (3 ft)
Discharge Head	1 m (3 ft)	1 m (3 ft)	1 m (3 ft)	1 m (3 ft)
Hose size	3/4" (19 mm)	1" (25 mm)	3/4" (19 mm)	1" (25 mm)
Flow Rate/ Minute	19 ltrs (5 US gals)	17.5 ltrs (4.6 US gals)	17.4 ltrs (4.5 US gals)	15.5 ltrs (4.1 US gals)
Current Draw (12 V d.c.)	7.5 amps	8 amps	7.5 amps	8 amps
Current Draw (24 V d.c.)	3.25 amps	4 amps	3.25 amps	4 amps



Performance Data

Gulley IC	
Cable Length	4 m (12 ft)
Hose Connections	Small Gulley IC
Control Voltage	5 V d.c. via Gulper® IC
Current Draw	Low power 0.01 amps supply
Connectors	IP68 Waterproof Quick Connect 7 way (directly onto Gulper® IC)

Note: These specifications are retail items only. For details of our bulk pack range for boat builders and wholesalers - contact Whale Support.

Gulper® 320

High Capacity Waste Pump - Fast Drainage And Space Saving On Board

No clog, no filter waste pump built on two decades of market leading positive displacement diaphragm pump technology



Gulper Valve Technology Handles Shower Waste From Multiple Drains - No Filters And No Clogging

High Capacity Waste Pump - Fast Drainage

- Save space one pump can be used for multiple drains with a grey waste tank
- Head rotates 360 degrees to suit your installation
- Long life - runs dry without damage
- Easy to install - including uneven surfaces
- Reliable operation - Self priming

3 Year Warranty

Awards and Accreditations

- Ignition protection ISO8846.
- CE marked.

COMPLETE YOUR SYSTEM

See Page 100-101 for Grey waste accessories

YOU MAY ALSO LIKE

Grey IC and Gulley IC - Automatic Grey waste pump kits with automatic intelligent control - see pages 86-89

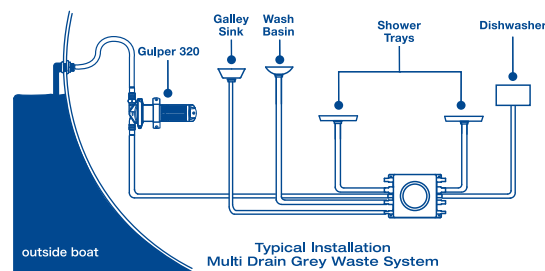


Product Information

Model Specifications

Model	Gulper® 320	
Product Code	BP2052	BP2054
Voltage	12 V d.c.	24 V d.c.
Hose Connections	3/4" (19mm) + 1" (25mm)	
Recommended Fuse Size	10 amps Automotive	5 amps Automotive
Minimum Wire Size	1.5 mm ² (16 AWG)	
Weight	1.6 kg (3.5 lbs)	
Materials	Pump Head: Glass-filled Nylon, Valves and Diaphragm: Santoprene®	
Service Kits	AK2050 - replacement pump head (Available Separately)	
Maximum Suction Lift	3 m (10 ft)	
Maximum Discharge Head	3 m (10 ft)	
Maximum Discharge Head and Suction Lift Combined	4 m (13.5 ft)	

HIGH CAPACITY FOR MULTIPLE DRAINS

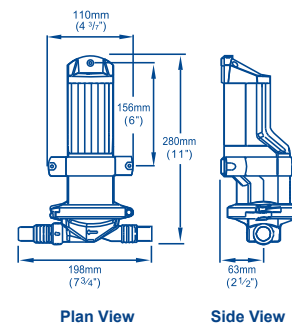


Performance Data

Product Code	BP2052 / BP2054			
Suction Lift	0 m (0 ft)	0 m (0 ft)	1 m (3 ft)	1 m (3 ft)
Discharge Head	1 m (3 ft)	1 m (3 ft)	1 m (3 ft)	1 m (3 ft)
Hose Size	3/4" (19 mm)	1" (25 mm)	3/4" (19 mm)	1" (25 mm)
Flow Rate per Minute	19 ltrs (5 US Gals)	17.5 ltrs (4.6 US Gals)	17.4 ltrs (4.5 US Gals)	15.5 ltrs (4.1 US Gals)
Current Draw	7.5 amps (12 V d.c.) 3.25 amps (24 V d.c.)	8 amps (12 V d.c.) 4 amps (24 V d.c.)	7.5 amps (12 V d.c.) 3.25 amps (24 V d.c.)	8 amps (12 V d.c.) 4 amps (24 V d.c.)

Note: These specifications are retail items only.

For details of our bulk pack range for boat builders and wholesalers - contact Whale Support.



Gulper® 220

Gulper valve technology handles shower waste such as hair and gel

No clog, no filter waste pump built on more than a decade of market leading pump technology

Robust housing reliable, marine grade materials

Absorbs vibration rubber feet

Easy maintenance non choke valves, no filter to block or clean

Double outlet valve for continuous flow

Simple plumbing - barbed connections Suitable for 3/4" (19 mm) or 1" (25 mm) flexible hose

Straight forward installation multi directional head rotates 360° for convenient installation

Product code: see table

Also available Gulper 320 High Capacity for multiple drains See page 92



Reliably Pumps Shower Waste Including Hair and Gels

- Up to 14 ltrs (3.7 US gals) per minute*
- Will run dry without damage and pump a mixture of air and water
- Virtually non-choke valves - No filter to unblock
- Reliable operation - Self-priming up to 3 m (10 ft)
- Easy to install in confined spaces
- Double outlet valve ensuring continuous flow
- Multi directional head - for ease of installation
- Low power consumption

2 Year Warranty

Awards and Accreditations

- Ignition protected ISO8846.
- CE marked
- IP45 rated

COMPLETE YOUR SYSTEM

See Page 102-103 for Grey waste accessories

YOU MAY ALSO LIKE

Grey IC and Gulley IC - Automatic Grey waste pump kits with automatic intelligent control built in - pages 88-91

Gulper 320 - High Capacity Electric Grey Waste pump - page 92-93



Product Information

Model Specifications

Model	Gulper® 220	
	BP1552	BP1554
Product Code	BP1552	BP1554
Voltage	12 V d.c.	24 V d.c.
Recommended Fuse Size	5 amps Automotive	2.5 amps Automotive
Weight	1.5 kg (3.4 lbs)	
Hose Connections	19 mm (¾")	
Minimum Wire Size	1.5 mm² (16 AWG)	
Materials	Pump Body: Aluminium, Glass-filled Nylon, Clamp Ring: Acetal Diaphragm: Santoprene®, Valves: Nitrile®, Feet: EPDM Gearwheel: Delrin®, Fasteners: Stainless Steel, Brass	
Materials in Contact With Fluid	Glass-filled Nylon, Nitrile®, Santoprene®, Stainless Steel	
Accessories	Grey Waste Tanks (see page 98)	
Service Kit	AK1550 - Gulper® 220 Service Kit Contains: Diaphragm and Valves	
Maximum Suction Lift	3 m (10 ft)	
Maximum Discharge Head	3 m (10 ft)	
Maximum Discharge Head and Suction Lift (combined)	4 m (13.5 ft)	
Dry Running Current	2.4 amps	1.2 amps

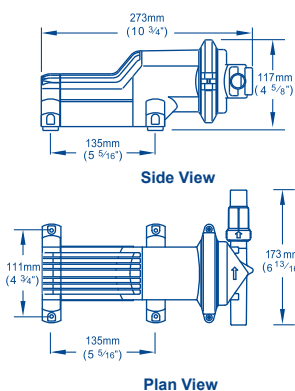
Performance Data

	BP1552 / BP1554	BP1552 / BP1554
Suction Lift	0 m (0 ft)	1 m (3 ft)
Discharge Head	1 m (3 ft)	1 m (3 ft)
Flow Rate per Minute	13.4 ltrs (3.5 US gals)	12.6 ltrs (3.4 US gals)
Current Draw	3.5 amps (12 V d.c.) 1.75 amps (24 V d.c.)	4 amps (12 V d.c.) 2 amps (24 V d.c.)

* based on Whale lab tests at zero head lift and zero head

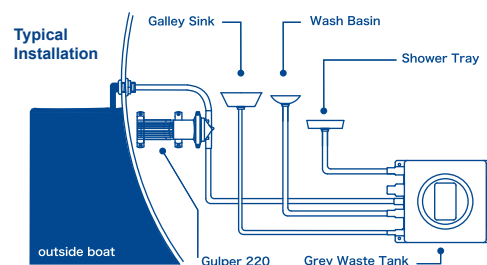
Note: These specifications are retail items only.

For details of our bulk pack range for boat builders and wholesalers - contact Whale Support.



WARNING
Gulper® 220 is not suitable for pumping diesel. For this application please contact Whale for information.

Now with barbed outlet (discharge) connections to allow a choice of connecting directly to either ¾" (19 mm) or 1" (25 mm)



Grey Waste Tanks

NEW for 2018 Multi-port Grey Waste Tank Range with integrated Intelligent Control

Integrated sensors for automatic pump control

Unique 'triple seal' lid isolates electronics from the harsh grey waste environment for advanced durability.

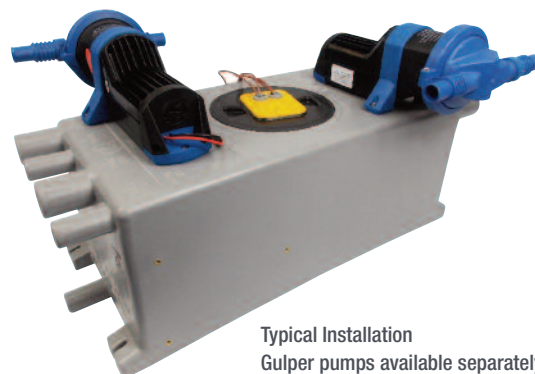
Unique 'Triple seal' protection prevents water ingress - no leak paths to electronics

- Single piece moulded lid incorporates sensor
- Splash-proof lid
- Protected fully potted circuit board

- Reliably handles typical shower & galley sink waste up to 195°F (90.5°C) even in complex multiple outlet systems
- Solid state switches - no moving parts prone to blockages
- Handles all grey waste on board through one thru hull fitting
- Resilient polyethylene one piece moulded tanks

Ideal for larger vessels with many outlets, dishwashers or even bathtubs on board

- NEW 20 ltr (5.3 US Gals) models offer 25% more capacity than previous Whale models.
- Double sensor models allow boat builders to fit an additional pump to one tank for a compact high capacity solution or a high level alarm for extra peace of mind.



Typical Installation
Gulper pumps available separately

NEW Multi-port Grey Waste Tank Range with integrated Intelligent Control

Integrated sensors for automatic pump control

Easy flexible installation

- Easy wiring - connect any 12 or 24V d.c. pump system (up to 20A) with no relay required
- Installation guidance is included on tank*
- Ports shaped for drilling accuracy*
- Fit pumps in protected locations - choose top or side of tank mounting, or locate pump high and dry away from bedroom areas to minimize noise disruption

Peace of mind

- Double switch models - second sensor can be wired to a high level alarm

Optimized pumping

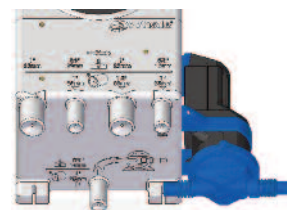
- The 20 ltr (5.3 US Gal) tank base is angled to ensure that waste flows to outlets easily for efficient pump out
- Outlet port and sensor locations minimize air pumping noise*

Low maintenance

- Glass filled polypropylene sensor housing helps reduce debris build-up, and lid provides access to wipe clean sensors

Typical Installation

fitter friendly
- clear visual cues
for installation



Typical Installation



Drill locator ports



Product Information

8 ltr / 2.1 US Gal model



16 ltr / 4.2 US Gal model



20 ltr / 5.3 US Gal model



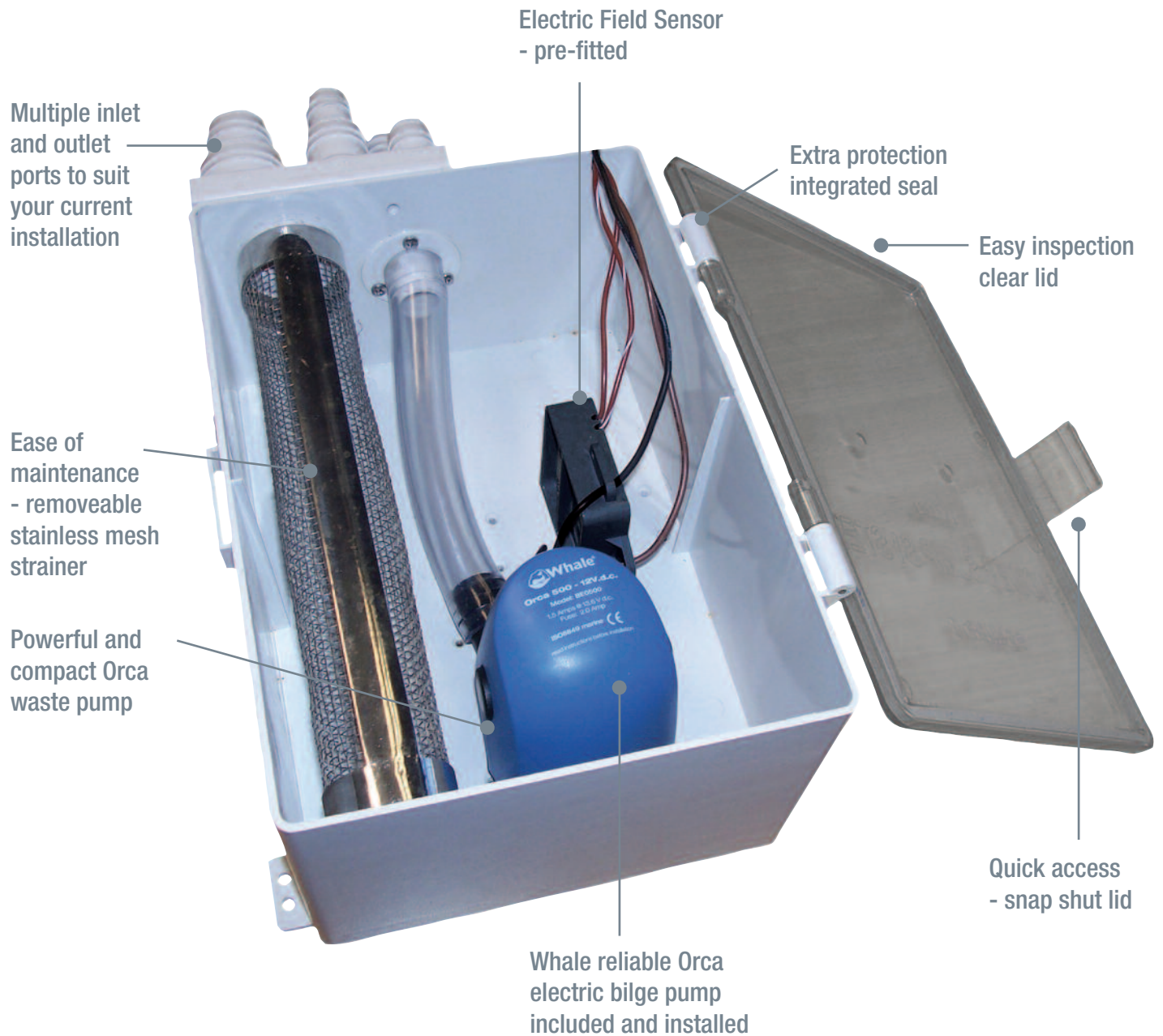
Model Specifications

Model	8 ltr / 2.1 US Gal model				16 ltr / 4.2 US Gal model			20 ltr / 5.3 US Gal model			
Product Codes	GT0810B	GT0812B	GT0820B	GT0831B	GT1610B	GT1620B	GT1631B	GT2010B	GT2012B	GT2020B	GT2031B
Capacity	8 ltr (2.1 US Gals)				16 Ltr (4.2 US Gals)			20 ltr (5.3 US Gals)			
No. of Sensors	1	2	2	1	1	2	1	1	2	2	1
Voltage	12/24Vd.c.										
Electrical Connections	Tinned wire ends		2 x Deutsch DT06-3S -P012	1 x Deutsch DT06-3S -P012	Tinned wire ends	2 x Deutsch DT06-3S -P012	1 x Deutsch DT06-3S -P012	Tinned wire ends	2 x Deutsch DT06-3S -P012	1 x Deutsch DT06-3S -P012	
Inlet Hose Connections	3/4" x 2, 1" x 3, 1 1/2" x 3				1" x 4, 1 1/2" x 4						
Outlet Hose Connections	3/4" x 1 1" x 1				1" x 2			1" x 2			
Materials	Tank: MDPE, Seals: EPDM/Neoprene, Monprene®, Lid: Glass Filled Polypropylene, ABS, Polyurethane										

*Features available only on 20 ltr (5.3 US gal) models

Whale® Shower Sump System

Simple Grey Waste Management Kit
pre-assembled simplified installation



Plug 'n' Play - Tank, Pump, Sensor Pre-Assembled Kit

- Easy Maintenance - Clear, hinged lid and removable stainless mesh strainer for easy inspection and maintenance
- Easy Installation - Multiple inlet port sizes for easy connection to existing plumbing
- Reliable Operation - Electric Field Sensor Switch automatically senses water level and switches on and off
- Consistent flow - Built-in non-return valve prevents cycling
- Perfect to collect air condensation

1 Year Warranty

COMPLETE YOUR SYSTEM

See Pages 102-103 for Grey waste accessories

YOU MAY ALSO LIKE

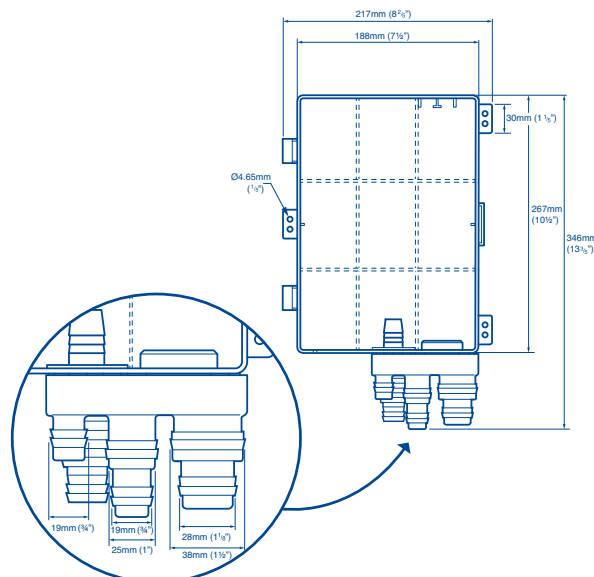
Gulper 320 and 220 - pages 92-95

Multi-port Polypropylene Grey Waste tanks - Pages 96-97

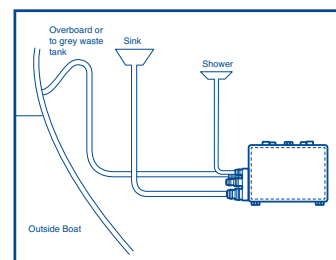
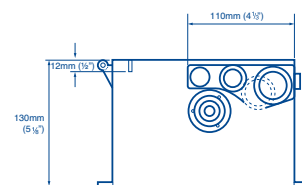
Performance Data

Whale Shower Sump System		
Product Code	GW0500	GW0950
Open Flow Rate @ 13.6 V d.c.	500 US GPH (32 ltrs/min)	950 US GPH (59 ltrs/min)
Flow Rate @ 1m Head	255 US GPH (16 ltrs/min)	600 US GPH (38 ltrs/min)
Voltage D.C.	12 V d.c.	
Recommended Fuse Rating	2A	5A
Weight	1.25 kg (2.76 lbs)	1.42 kg (3.13 lbs)
Inlet Ports	¾" (19 mm) / 1" (25 mm) / 1 ⅛" (28 mm) / 1 ½" (38 mm)	
Outlet Ports	¾" (19 mm) / 1" (25 mm)	
Materials	Tank - ABS, Polycarbonate, Strainer - Stainless Steel Mesh. Orca - Pump body: ABS, Seals - Nitrile®, Impeller - Acetal Electric Field Sensor - ABS	

Please note: replacement Orca pumps – see page 22-23



i Product Information

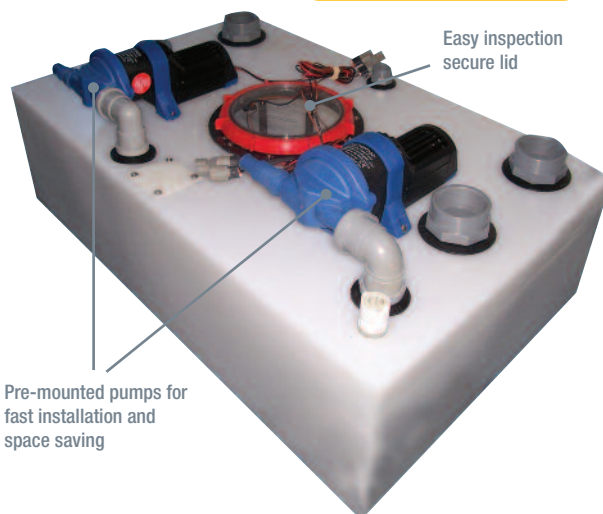


Shower and Sink Waste High Capacity System

New 100 ltr (26.4 US gals) tank features 2 non-clog Gulper 320 pumps and a clear inspection hatch in a pre-assembled kit

Ideal for boats from 60 ft for managing large amounts of water in grey waste systems

1 Year Warranty



SIMPLE INSTALLATION

Only one thru-hull fitting is required for all grey waste from multiple drains

SAVE SPACE - pumps mounted onto tanks saves valuable space on board, allowing more flexibility for layouts

Electronic switches
- for automatic operation

- no moving parts
- no exposed contacts
- max current draw 20Amp

Clear inspection lid with 3 independent switches

Switch 1 - operates pump 1

Switch 2 - operates pump 2 when a higher volume of waste needs to be pumped out.

Switch 3 - high level alarm.

Configuration:

Three independent switches.

Lower switch controls Pump 1 and mid level switch controls Pump 2. Pump 2 only runs when demand is high, or when back up is required. Third sensor is high level alarm.

i Product Information

Part no	GW1033	GW1034
Tank Material	MDPE	
Tank Wall Thickness	8mm	
Tank dimensions: Length, width, height	830mm (33"), 530mm (21"), 240mm (9.4")	
Pumps	2 x Gulper 320 (24V d.c.) 19 ltrs (5 US Gals) /minute each	
Switches	3 x BE9003	
Connectors	Deutsch	
Inlet Fittings	4 x 2" BSP thread	3 x 3/4" barbed inlets 2 x 32mm smooth bore PVC inlets
Plunger Tube for Manual Pump	no	yes 1 1/2"
Vent	3/4" Elbow	

Please note: this product is currently only available to boat builders
- minimum order quantities apply
- contact Whale Support for details

Shower and Sink Waste System

Includes 8 ltrs (2.1 US gals) tank and Gulper 220 pump



now with Intelligent Control switch

Side mount pump for fast installation and space saving

1 Year Warranty

Multiple installation ports - inlet connections of 19 mm (¾"), 25 mm (1") or 38 mm (1½")

Pre-assembled easy install kit includes leading Gulper waste pump and multi-port polypropylene tank

Includes 8 ltrs (2.1 US gals) tank and Gulper 220 pump

Non-choke valves proven debris handling - no filter required

- Can run dry without damage
- Automatic pump activation
- Robust polyethylene tank design (one piece roto-moulded)

COMPLETE YOUR SYSTEM

See Page 102-103 for Grey waste accessories

FOR MORE INFORMATION

Gulper 220 - page 94-95

Multi-port Polypropylene Grey Waste tanks - page 96-97

i Product Information

Model	Shower and Sink Waste System
GK1512	Kit includes 8 ltrs (2.1 US gals) capacity grey waste tank and BP1552 Gulper 220 grey waste pump (12 V d.c.)
GK1514	Kit includes 8 ltrs (2.1 US gals) capacity grey waste tank and BP1554 Gulper 220 grey waste pump (24 V d.c.)

Grey / Shower Waste Accessories

Complete Your System

Fit Whale® high quality pumps and accessories to ensure long term reliability throughout your grey waste system. Whale® switches, diverter valves, and pipework connections are designed and manufactured with highest quality at heart. Combine these accessories with your Whale® waste pumps for reliability and durability.

Need specific advice on your system? Contact our technical team at Whale support
See below for a full list of accessories

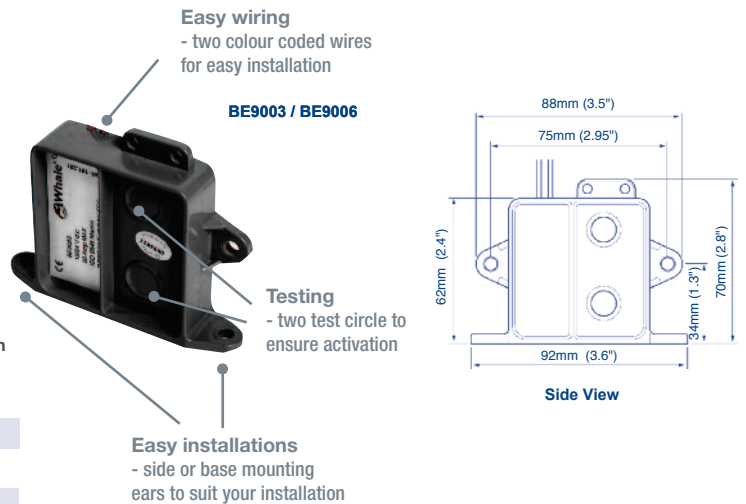
Grey Waste Tank Switch

Electric Field Sensor Switch

- Electric field sensor automatically sense water levels and switch on the bilge pumps
- Automatically switches on when 51mm (2") of water is sensed and turns off when water drops below 13 mm (1/2")
- BE9006 model - built in 30 second off delay for efficient operation, prevents cycle in small sump installations or enables lower drain than 13 mm (1/2")

Model Specifications

Model	Electric Field Sensor Switch	Electric Field Sensor Switch 30 second time delay
Product Number	BE9003	BE9006
Voltage D.C.	12 V or 24 V	
Current	Suitable for up to 20 amps	
Residual Current	0.008 amps	



Diverter Valve

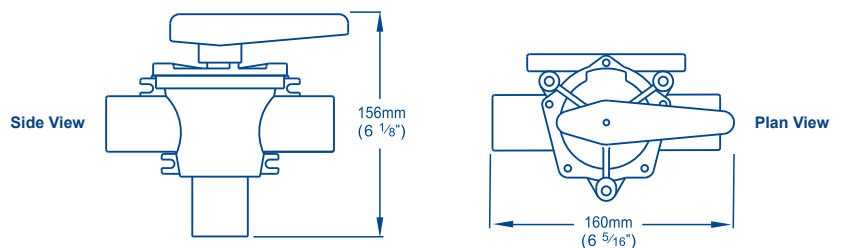
Diverter Valves

Allows one pump to draw from 2 locations

DV5630 Diverter Valve 1" (25 mm) connections

DV5606 Diverter valve 1 1/2" (38 mm) connections

- Materials - Main Body: Acetal, Teflon, Handle PTFE polyester
- Complies with US Coast Guard rules for type III Waste systems



Accessories - Pipework Connections

Accessories - Pipework Connections

Whale supply a wide range of accessories designed specifically for use with Whale Pumps, creating a system solution for the installer.

Y Piece

- Designed to enable two pumps to discharge through a single line
- Ideal for use when a diverter is not required

Model Specifications

Model	Y Piece
Product Code	YP6114
Pipe Diameter	38 mm (1½")
Materials	Polypropylene



YP6114

Elbows

- Ideal for use in installations in confined spaces

Model Specifications

Model	Elbow	Elbow
Product Code	EB3364	EB3488
Pipe Diameter	25 mm (1")	38 mm (1½")
Materials	Polypropylene	



EB3488

EB3364

Non-Return Valves

- Extended range now includes 3/4" and 1 1/8" models
- Provide an easy way to maintain prime in a suction or discharge line
- Designed to fit in-line
- Suitable for use with manual or electric pumps

Model Specifications

Product Code	LV1215	LV1218	LV1219
Pipe Diameter	25 mm (1") 38 mm (1½")	25 mm (1") 28 mm (1 1/8")	19 mm (¾") 25 mm (1")
Materials	Body: Glass-filled Polypropylene, Valve: Nitrile®		



LV1215

LV1218

LV1219

Skin Fittings

- Manufactured in strong high quality moulded non-corrosive acetal

Model Specifications

Model	Skin Fitting	Skin Fitting	Skin Fitting	Skin Fitting
Product Code	SF5018	SF5131	SF5204	SF5425
Diameter Size	16 mm (5/8")	19 mm (¾")	25 mm (1")	38 mm (1½")
Materials	Acetal			



SF5204

(see table for part numbers of other hose connections)

Note: These specifications are retail items only.

For details of our bulk pack range for boat builders and wholesalers - contact Whale Support.



Whale - Fishbox and Baitwell



Our non-clog filter free Gulper® electric waste pumps for fishbox and baitwell installations handle fish waste, and ensure long term reliability. Unlike macerator pumps, they can run dry with no risk of motor burn out. Gulper® valve technology has been built on more than a decade of market leading pump technology for proven reliable waste management.

The range now includes the Gulper Grouper Mk 3 with 90° port orientation ideal as a direct macerator replacement in fishbox installations.

Gulper Grouper

Fishbox Evacuation Pump

- Suitable for standard 1" (25 mm) or 1 1/2" (38 mm) hose connections - Page 106 -107

New Gulper Grouper Mk 3

With a 90° orientation head

- Ideal replacement for macerators page - Page 106 -107

Gulper 320

Fishbox Evacuation Pump

- Suitable for 3/4" / (19 mm) or 1" / (25 mm) standard hose connections - Page 108 -109

Accessories

- Complete the system with pipework fittings such as elbows, Y pieces and strum boxes / strainers - refer to bilge accessories - Page 42 - 43

Gulper® Grouper

Fishbox evacuation pump 1" (25 mm) or 1 1/2" (38 mm) standard hose connections

Built on more than a decade of market leading pump technology. Unlike macerator pumps, Gulper valve technology means no filters, no clogging or motor burn out, just reliable waste management. Pumps out fishbox and baitwell waste without clogging.



Non choke valves in pump head designed to handle fish waste - no motor to clog or burn out

Reliability contains single heavy duty diaphragm for heavy duty use



Diaphragm technology no impeller to clog or burn

Straight forward installation multi directional head rotates 360° for convenient installation

Simple plumbing designed for connection to heavy duty hose 1" (25 mm) / 1 1/2" (38 mm) hose size



Large inlet port for efficient pumping

Our latest generation model includes 90° port orientation to retrofit in line with existing macerator pumps in compact areas.

New Gulper Grouper Mk 3 with 90° head - Ideal replacement for macerators

Diaphragm Pump Technology: No Impeller To Clog Or Burn

- Non-choke valves- easily handle fishbox waste
- Easy to install - 360 degree head rotation and choice of 1" (25 mm) or 1 ½" (38 mm) hose connections
- Easy to maintain and clean
- Ideal replacement for macerator pumps
- Fast pump out - up to 25.5 ltrs (6.75 US gals) per minute
- Long term durability - runs dry without damage
- Save battery - Low power consumption

COMPLETE YOUR SYSTEM

See page 43 & 116-117 for accessories including pipework elbows and Y pieces.



Product Information

Model Specifications

Model	Gulper® Grouper Fishbox Discharge Pump		Gulper® Grouper Mk 2 Fishbox Discharge Pump		Gulper® Grouper Mk 3 Fishbox Discharge Pump with 90° head	
Product Code	BP4572	BP4574	BP4672	BP4674	BP4772	BP4774
Voltage	12 V d.c.	24 V d.c.	12 V d.c.	24 V d.c.	12 V d.c.	24 V d.c.
Recommended Fuse Size Automotive	10 amps	5 amps	10 amps	5 amps	10 amps	5 amps
Minimum Wire Size	1.5 mm ² (16 AWG)					
Weight	1.6 kg (3.5 lbs)					
Hose Connections	25 mm (1") or 38 mm (1 ½")					
Materials	Pump Body: Aluminium, Glass-filled Nylon, Clamp Ring: Acetal, Diaphragm: Santoprene®, Valves: Nitrile®, Feet: EPDM, Gearwheel: Bronze, Fasteners: Stainless Steel, Brass		Pump Body: Aluminium, Glass-filled Nylon, Clamp Ring: Acetal, Diaphragm: Santoprene®, Valves: Nitrile®, Feet: EPDM, Gearwheel: Delrin, Fasteners: Stainless Steel, Brass			
Materials in Contact With Fluid	Glass-filled Nylon, Nitrile, Santoprene®, Stainless Steel					
Maximum Suction Lift	0.5 m (1.7 ft)		1 m (3.3 ft)			
Maximum Discharge Head	3 m (10 ft)		2 m (6.5 ft)			
Maximum Discharge Head and Suction Lift (combined)	3 m (10 ft)		3 m (10 ft)			
Flow Rate per Minute	25.5 ltrs (6.75 US gals)		18 ltrs (4.75 US gals)			
Dry Running Current	5 amps	2.5 amps	4 amps	2 amps	4 amps	2 amps
Service Kit	AK1557 - service kit head					

Performance Data

	BP4572 / BP4574	BP4672 / BP4674	BP4772 / BP4774
Suction Lift	0	0	0
Discharge Head	1 m (3 ft)	1 m (3 ft)	1 m (3 ft)
Flow Rate per Minute	22ltrs (5.8 US gals)	18 ltrs (4.75 US gals)	16 ltrs (4.22 US gals)
Current Draw	7.2 amp (12 V d.c.) 3.6 amp (24 V d.c.)	7 amp (12 V d.c.) 3.5 amp (24 V d.c.)	6 amp (12 V d.c.) 3 amp (24 V d.c.)

Note: These specifications are retail items only, and are based on using 1 ½" inlet and 1" outlet port connection in Whale lab testing in 2014
For details of our bulk pack range for boat builders and wholesalers - contact Whale Support.

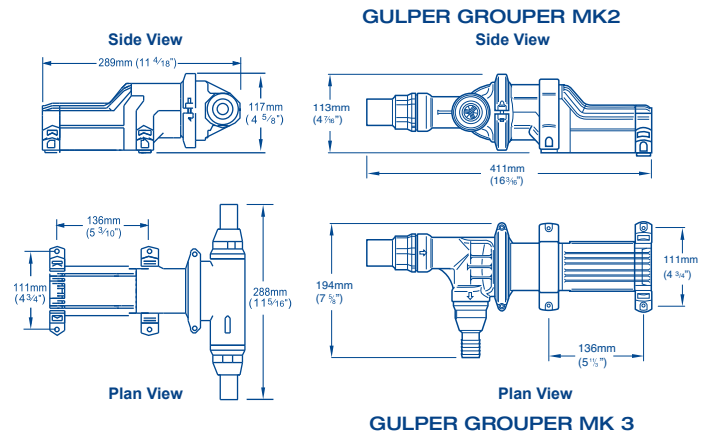
1 Year Warranty

Awards and Accreditations

- ISO10133 Electrical systems
- extra low voltage dc installations
- Ignition protected ISO8846.
- CE marked
- IP45 rated

Mk 1 and 2 models

NEW Mk 3 models



Gulper® 320

No clog, no filter waste pump built on more than a decade of market leading pump technology

Unlike macerator pumps, Gulper valve technology means no filters, no clogging or motor burn out, just reliable waste management



Proven Gulper Non-Choke Pump Technology

- Fishbox Discharge Pump
 - Handles fishbox waste
 - Easy to install in convenient locations
- Long term durability - runs dry without damage
- Fit in convenient locations
 - Multi-directional head position
- Save battery - Low power consumption

3 Year Warranty

Awards and Accreditations

- Ignition protection ISO8846.
- CE marked.

COMPLETE YOUR SYSTEM

See Page 43 & 116-117 for fishbox baitwell accessories

YOU MAY ALSO LIKE

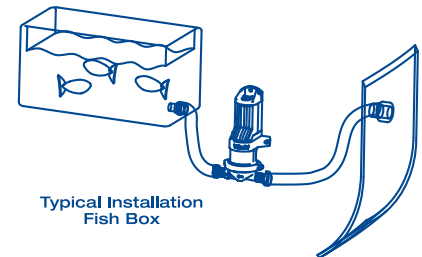
Gulper Grouper - page 106-107

i Product Information

Model Specifications

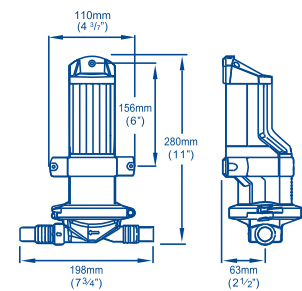
Model	Gulper® 320	
Product Code (retail)	BP2052	BP2054
Voltage	12 V d.c.	24 V d.c.
Hose Connections	3/4" (19 mm) + 1" (25 mm)	
Recommended Fuse Size	10 amps Automotive	5 amps Automotive
Minimum Wire Size	1.5 mm ² (16 AWG)	
Weight	1.6 kg (3.5 lbs)	
Materials	Pump Head: Glass-filled Nylon, Valves and Diaphragm: Santoprene®	
Service Kit	AK2050 - Replacement pump head (Available Separately)	
Maximum Suction Lift	3 m (10 ft)	
Maximum Discharge Head	3 m (10 ft)	
Maximum Discharge Head and Suction Lift Combined	4 m (13.5 ft)	

NO IMPELLER TO CLOG/ BURN



Performance Data

Product Code	BP2052 / BP2054			
Suction Lift	0 m (0 ft)	0 m (0 ft)	1 m (3 ft)	1 m (3 ft)
Discharge Head	1 m (3 ft)	1 m (3 ft)	1 m (3 ft)	1 m (3 ft)
Hose Size	3/4" (19 mm)	1" (25 mm)	3/4" (19 mm)	1" (25 mm)
Flow Rate per Minute	19 ltrs (5 US Gals)	17.5 ltrs (4.6 US Gals)	17.4 ltrs (4.5 US Gals)	15.5 ltrs (4.1 US Gals)
Current Draw	7.5 amps (12 V.d.c.) 3.25 amps (24 V.d.c.)	8 amps (12 V.d.c.) 4 amps (24 V.d.c.)	7.5 amps (12 V.d.c.) 3.25 amps (24 V.d.c.)	8 amps (12 V.d.c.) 4 amps (24 V.d.c.)



Plan View

Side View

Note: These specifications are retail items only.
For details of our bulk pack range for boat builders and wholesalers - contact Whale Support.



Whale - **Black Waste Range**

Electric / Manual Black Waste Pump Out

Practical solutions to waste management on board



Electric Black Waste Pumps

Our non-clog filter free Gulper electric waste pumps for black waste / toilet management handle un-macerated waste, and ensure long term reliability. Unlike macerator pumps, they can run dry with no risk of motor burn out. Gulper valve technology has been built on more than a decade of market leading pump technology for proven reliable waste management.

Manual Pumps

The Mark 5 Sanitation is built on more than 60 years of experience. At Whale we design and build manual pumps that are reliable and can be depended on for long term durability.

Electric Black Waste Pump

- Gulper Toilet Pump - Page 112-113

Manual Black Waste Pump

- Mark 5 Sanitation Pump - Page 114-115

Accessories

Complete the system with pipework elbows, Y pieces, and strum box / strainers - Page 116-117

Gulper[®] Toilet Pump

Whale Gulper[®] Toilet Pump

For holding tank electric pump out / discharge

No clog, no filter waste pump built on more than a decade of market leading pump technology
- Pumps un-macerated toilet waste



Pumps Un-macerated Toilet Waste With Ease

- Runs dry without damage
- Up to 18 ltrs (4.75 US gal) per minute
- Virtually unblockable
- Rotatable inlet and outlet - allows you to install in awkward locations
- Self priming up to 3 m (9.8 ft) - mount the pump in the most convenient part of boat
- Pumps a mixture of air and waste
- Easy to maintain
- Ideal for holding tanks and vacuum systems

1 Year Warranty

Tips

Ideal for use in conjunction with Whale's robust and durable Diverter Valve 1 1/2" ports – DV5606 - page 116



Awards and Accreditations

- Ignition protection ISO8846
- CE marked

YOU MAY ALSO LIKE

Mark V – Manual Sanitation Pump – page 114-115



Product Information

Model Specifications

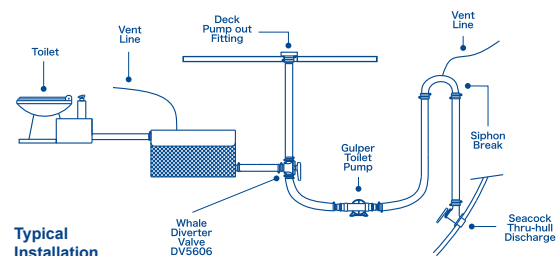
Model	Gulper® Toilet Pump	
Product Code	BP2552B	BP2554B
Voltage	12 V d.c.	24 V d.c.
Recommended Fuse Size	10 amps Automotive	5 amps Automotive
Weight	2.12 kg (4.75 lbs)	
Hose Connections	38 mm (1 1/2")	
Minimum Wire Size	1.5 mm ² (16 AWG)	
Materials	Pump Body: Aluminum, Glass-filled Nylon, Clamp Ring: Acetal Diaphragm: Santoprene®, Valves: Nitrile, Gearwheel: Bronze Feet: EPDM, Fasteners: Stainless Steel, Brass	
Service Kit	AK1557- Service Kit	
Materials In Contact With Fluid	Glass-filled Nylon, Santoprene®, Nitrile	
Maximum Suction Lift	3 m (10 ft)	
Maximum Discharge Head	3 m (10 ft)	
Maximum Suction Lift and Discharge Head (combined)	3 m (10 ft)	
Dry Running Current	5.5 amps	2.25 amps

Performance Data

	BP2552B / BP2554B	
Suction Lift	0 m (0 ft)	1 m (3 ft)
Discharge Head	1 m (3 ft)	1 m (3 ft)
Flow Rate per Minute	17.5 ltrs (4.6 US gals)	16.5 ltrs (4.4 US gals)
Current Draw	6.5 amps (12 V d.c.) 3.25 amps (24 V d.c.)	7.1 amps (12 V d.c.) 3.55 amps (24 V d.c.)

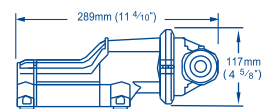
Note: These specifications are retail items only.

For details of our bulk pack range for boat builders and wholesalers - contact Whale Support.

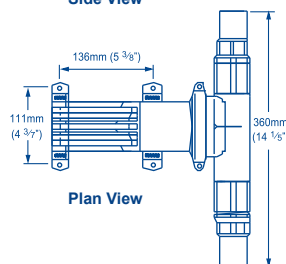


Typical Installation

Note: Where discharge is below the water line, a siphon break must be fitted.



Side View



Plan View



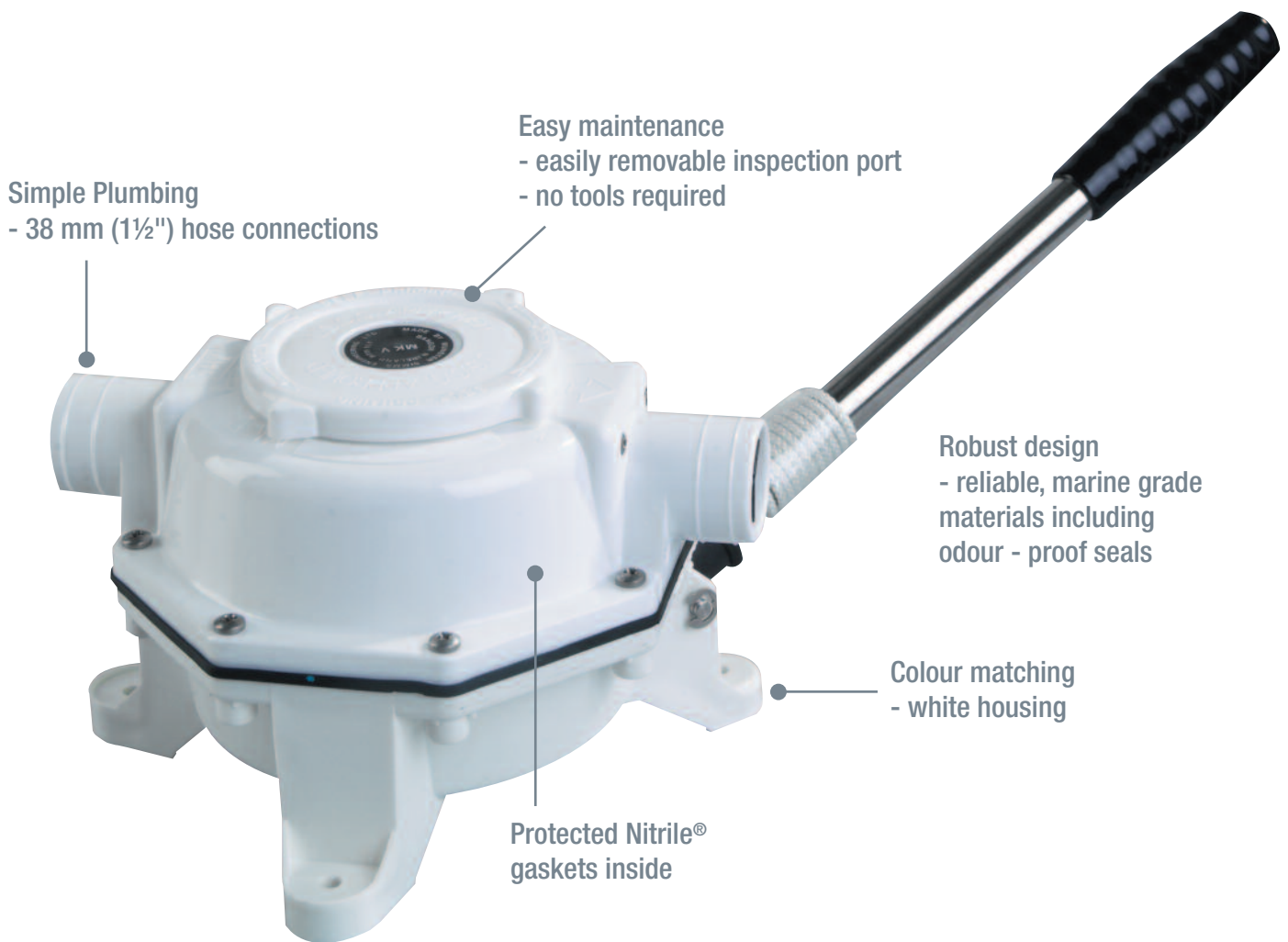
WARNING

It is important to ensure that a siphon break is fitted, where discharge is below the water line.

Mark V – Manual Sanitation Pump

The manual black waste pump designed for toilet flush, or holding tank pump out

Designed to ensure total reliability in black waste pump out. Totally sealed unit ensures no nasty odours



Maximum Performance - Wide Hose Connections 38 mm (1½”), 66 ltrs (17.5 US gals) Per Minute

- Tough plastic housing keeps in nasty smells
- Large virtually non-block valves
- Easy to clean (no tools required)
- Maximum performance - wide hose connections 38 mm (1½”), 66 ltrs (17.5 US gals) per minute
- Lightweight design for easy operation

5 Year Warranty

Tips

Ideal for use in conjunction with Whale's robust and durable Diverter Valve 1 ½” ports – DV5606 – page 116

YOU MAY ALSO LIKE

Gulper Toilet Pump - Electric Black Waste Pump – page 112-113



Product Information

Model Specifications

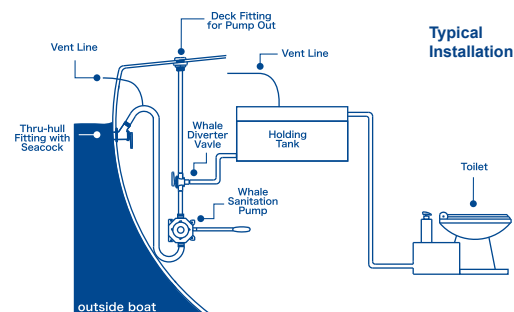
Model	Mk5 Bulkhead	Mk5 Thru Deck
Product Code	BP0527	BP0535
Weight	1.17 kg (2.6 lbs)	
Hose Connections	38 mm (1½”) Hose Connections	
Materials	Pump Body: Glass-filled Polypropylene, Acetal Diaphragm and Seals: Nitrile®, Operating Lever: Glass-filled Nylon Handle, Spring and Fasteners: Stainless Steel	
Materials In Contact With Fluid	Glass-filled Polypropylene, Acetal, Nitrile, Stainless Steel	
Service Kit	AK8050 - Service Kit for Mk5 Sanitation Contains: Diaphragms, Valves and Circlips	
Accessories	DP9905 - Deck Ring - for BP0535 only, DP9906 - Conversion Kit	
Maximum Suction Lift	4.5 m (15 ft)	
Maximum Discharge Head	4.5 m (15 ft)	

Performance Data

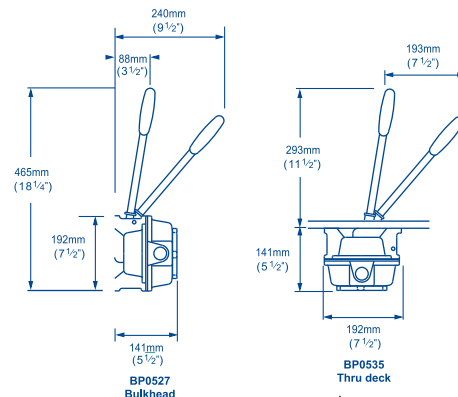
Suction Lift	1 m (3 ft)
Discharge Head	0.5 m (1.5 ft)
45 Strokes per Minute	42 ltrs (11 US gals)
70 Strokes per Minute	66 ltrs (17.5 US gals)

Note: These specifications are retail items only.

For details of our bulk pack range for boat builders and wholesalers - contact Whale Support.



Note: Where discharge is below the water line, a siphon break must be fitted.



WARNING

It is important to ensure that a siphon break is fitted, where discharge is below the water line.

Black / Toilet Waste Accessories

Complete Your System

Fit Whale high quality pumps and accessories to ensure long term reliability throughout your black waste system. Diverter valves, and pipework connections are designed and manufactured with highest quality at heart. Combine these accessories with your whale waste pumps for reliability and durability.

Need specific advice on your system? Contact our technical team at Whale® Support

See below for a full list of accessories

Diverter Valve

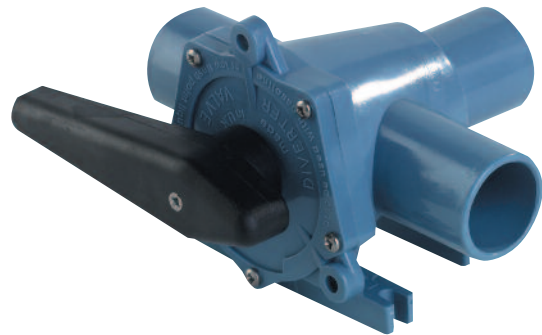
Diverter Valves to divert flow to overboard or deck pump out

DV5630 Diverter Valve 1" (25 mm) connections

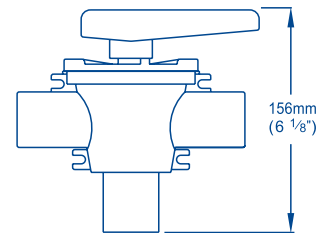
DV5606 Diverter valve 1 1/2" (38 mm) connections

- Materials - Main Body: Acetal, Teflon, Handle PTFE polyester
- Complies with US Coast Guard rules for type III Waste systems

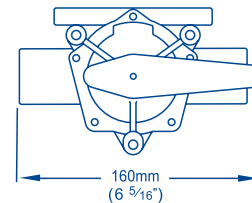
Please note Whale diverter valves are not designed to be installed in a pressurized system



DV5606



Side View



Plan View

Accessories - Pipework Connections

Accessories - Pipework Connections

Whale supply a wide range of accessories designed specifically for use with Whale Pumps, creating a system solution for the installer.

Y Piece

- Designed to enable two pumps to discharge through a single line
- Ideal for use when a diverter is not required

Model Specifications

Model Product Code	Y Piece YP6114
Pipe Diameter	38 mm (1½")
Materials	Polypropylene



YP6114

Elbows

- Ideal for use in installations in confined spaces

Model Specifications

Model Product Code	Elbow EB3364	Elbow EB3488
Pipe Diameter	25 mm (1")	38 mm (1½")
Materials	Polypropylene	



EB3488

EB3364

Non-Return Valves

- Provide an easy way to maintain prime in a suction or discharge line
- Designed to fit in-line
- Suitable for use with manual or electric pumps

Model Specifications

Product Code	LV1215	LV1218	LV1219
Pipe Diameter	25 mm (1") 38 mm (1½")	25 mm (1") 28 mm (1 1/8")	19 mm (¾") 25 mm (1")
Materials	Body: Glass-filled Polypropylene, Valve: Nitrile®		



LV1215

LV1218

LV1219

Skin Fittings

- Manufactured in strong high quality moulded non-corrosive acetal

Model Specifications

Model Product Code	Skin Fitting SF5018	Skin Fitting SF5131	Skin Fitting SF5204	Skin Fitting SF5425
Diameter Size	16 mm (¾")	19 mm (¾")	25 mm (1")	38 mm (1½")
Materials	Acetal			



SF5204
(see table for part numbers of other hose connections)

Note: These specifications are retail items only.
For details of our bulk pack range for boat builders and wholesalers - contact Whale Support.

Distributors

Whale marine water systems and service are available worldwide from the following distributors:

UK

Marathon Leisure Ltd.

Teal Building, Northney Marina
Hayling Island, Portsmouth
Hampshire PO11 0NH
Tel: 02392 637711
Fax: 02392 637722
Email: sales@marathonleisure.co.uk
www.marathonleisure.co.uk

EUROPE

AUSTRIA

Robert Lindemann KG

Wendenstraße 455
D-20537 Hamburg, Germany
Tel: +49 40 2111970
Fax: +49 40 21119730
Email: info@lindemann-kg.de
www.lindemann-kg.de

BELGIUM

Belship

Krommewetering 61A
3543 AM Utrecht
Netherlands
Tel: +31 3024 08040
Fax: +31 3024 08041
Email: team@belship.nl
www.belship.com

CROATIA

Unimar

Preluk bb – 51000 River, Croatia
Tel: +385 (0)51 623263
Fax: +385 (0)51 623264
Email: unimar@unimar.hr
www.unimar.hr

DENMARK

Watski

Savsvinget 4, 2970 Hørsholm
Tel: +45 45 764011
Fax: +45 45 764012
Email: kontaktdk@watski.com
www.watski.com

FAROE ISLANDS

Bátatænastan P/F

Rundingar 20A, Postboks 101,
FO-100 Tórshavn
Tel: +298 311735
Fax: +298 313835
Email: bt@bt.fo
www.bt.fo

FINLAND

OY Maritim AB

Veneentekijantie 1, PO Box 46
00211 Helsinki 21
Tel: +358 (0)207 651 80
Fax: +358 (0)207 652 945
Email: maritim@maritim.fi
www.maritim.fi

FRANCE

InterDist SAS

Rue des Bregeons
CS 41837
ZAC de la Mottais
35418 St Malo CEDEX
Tel: 02 99 19 54 54
Fax: 02 99 19 54 55
Email: info@interdist.fr
www.interdist.fr

GERMANY

Robert Lindemann KG

Wendenstraße 455, D-20537
Hamburg
Tel: +49 40 2111970
Fax: +49 40 21119730
Email: info@lindemann-kg.de
www.lindemann-kg.de

GIBRALTAR

M Sheppard & Co Ltd.

Shepphards Chandlery, Waterport
Tel: +350 20075148
Fax: +350 20042535
Email: admin@sheppard.gi
www.sheppard.gi

GREECE

Zois Efstathiou S.A.

57 Posidonos Ave, 18344 Moschato
Tel: +30 21 9409828
Fax: +30 21 9409112
Email: zois@zois.gr
www.zois.gr

HOLLAND

Belship

Krommewetering 61A
3543 AM Utrecht
Tel: +31 3024 08040
Fax: +31 3024 08041
Email: team@belship.nl
www.belship.com

HUNGARY

Marina Yacht Sport

H-1032 Budapest,
San Marco u.56
Tel: +36 1 3228655
Fax: +36 1 3229834
Email: office@marina.hu
www.marina.hu

ICELAND

Oliuverzlun Islands hf

Höfðatún 2, 105 Reykjavík, Iceland
Tel: +354 5151000
Tel: +354 5151010
Email: olis@olis.is
www.olis.is

IRELAND

Union Chandlery Ltd.

4-5 Penrose Quay, Cork
Tel: +353 21 4554334
Fax: +353 21 4552211
Email: info@unionchandlery.com
www.unionchandlery.ie

ISRAEL

Yamit YSB Ltd.

Marina Tel-Aviv, PO Box 6158
Tel-Aviv 61061
Israel
Tel: 972 3 5271779
Fax: 972 3 5271031
Email: info@yamitysb.co.il
www.yamitysb.co.il

ITALY

Osculati Spa

Via Pacinotti 12, 20090 Segrate
Milano
Tel: +39 02 2699111
Fax: +39 02 26991120
Email: info@osculati.it
www.osculati.com

MALTA

International Marine Centre

Ta'xbiex Palace, Triq Testaferrata
Msida, MSD 02
Tel: +356 21332747
Fax: +356 21343871

NORWAY

Watski

Vestre Haugen 211054 Oslo
Email: kontaktno@watski.com
Telf: +47(0)22820060
www.watski.com

POLAND

Aura

Przestrzenna 13
70-800 Szczecin
Tel: +48 914613992
Fax: +48 914613741
Email: aura@aura.szczecin.pl
www.aura.szczecin.pl

SPAIN

Baitra

Sopegal s/n, 36393 Sabaris -Bayona
Pontevedra
Tel: +349 86 354000
Fax: +349 86 354004
Email: baitra@baitra.com
www.baitra.com

Imnasa

Ctra, Fornells No.13
17457 Campllong
Girona
Tel: +349 02300214
Fax: +349 02300215
Email: imnasa@imnasa.com
www.imnasa.com

SWEDEN

Watski

Malmö, Sverige
Kantyxegatan 14
Tel: +46 40 6716700
Fax: +46 40 220555
Email: info@watski.com
www.watski.com

SWITZERLAND

Bucher & Walt SA

Route de Soleure 8
CH-2072 St Blaise / NE, Suisse
Tel: +41 32 7559510
Fax: +41 32 7559530
Email: info@bucher-walt.ch
www.bucher-walt.ch

TURKEY

Polimarin

Barbaros Bulvari No. 69,
Besiktas, 80690 Istanbul
Tel: +90 21 22592751
Fax: +90 21 22603389
Email: info@polimarin.com
www.polimarin.com

THE AMERICAS

USA

Attwood Marine Products

Lowell Michigan
1016 N. Monroe Street
Lowell, MI 49331
Tel: 1 616 897 9241
Email: usasales@whalepumps.com
www.whalepumps.com

CANADA

Water Systems

CANADA (WEST)

Payne's Marine Supply Inc.

2120 Quadra Street, Victoria B.C.
V8T 4C5
Tel: 250 382 7722
Fax: 250 382 4043
Email: sales@paynesmarine.com
www.paynesmarine.com

CANADA (EAST)

Payne Distributors Inc.

2360 Industrial Street
Burlington, Ontario L7P 1A1
Tel: 905 332 8291
Fax: 905 332 0557
Email: sales@paynesmarine.com
www.paynesmarine.com

Water Heating

CANADA (WEST)

Western Marine Company

1494 Powell Street Vancouver,
BC, V5L 5B5
Tel: 604 253 7721
Fax: 604 253 2656
Email: sales@westernmarine.com
www.westernmarine.com

AFRICA

SOUTH AFRICA

Central Boating Pty, Ltd.

85 Bree St, Cape Town 8001
Tel: +27 21 4248026
Fax: +27 21 4242564
Email: info@centralboating.com
www.centralboating.com

CENTRAL AND SOUTH AMERICA AND CARIBBEAN

ANTIGUA

Budget Marine Antigua

Jolly Harbour Boatyard, Bolans
Antigua and Barbuda
T: 268-462-8753
T: 268-460-8625
F: 268-462-7727
www.budgetmarine.com

ARUBA

Budget Marine Aruba

Balashi 75-B, P.O. Box 162
Oranjestad, Aruba
T: 297-585-3796
F: 297-585-3798
www.budgetmarine.com

BONAIRE

Budget Marine Bonaire

Kaya Carlos A. Nicolaas 4
Kralendijk, Bonaire
Nederlandse Antillen
T: 599-717-3710
F: 599-717-3523
www.budgetmarine.com

CURAÇAO

Budget Marine Curaçao Caracasbaaiweg

Caracasbaaiweg 202
Curaçao, Nederlandse Antillen
T: 5999-462-7733
F: 5999-462-7755
www.budgetmarine.com

Island Water World

199 Caracasbaaiweg, Curacao
Tel: 599.9.461.2144
Fax: 599.9.461.2155
Email:jimmy@iww-curacao.com

Budget Marine Curaçao Parera

Pletterijweg, Curaçao
Nederlandse Antillen
T: 5999-465-5686
F: 5999-465-5600
www.budgetmarine.com

GRENADA

Budget Marine Grenada

P.O. Box 3618
True Blue Bay
True Blue, St. Georges, Grenada
T: 473-439-1983
F: 473-439-2037
www.budgetmarine.com

Island Water World

Lagoon Road
Tel: 473.435.2150/1
Fax: 473.435.2152
Email:iwwgnd@spiceisle.com

Island Water World

Grenada Marine, Saint David,
Grenada
Tel: 473.443.1028
Fax: 473.443.1038
Email:iwwgnd@spiceisle.com

VIRGIN ISLANDS

Budget Marine St. Croix

90 Estate Solitude
Christiansted
U.S. Virgin Islands
T: 340-778-BOAT (2628)
F: 340-778-2629
www.budgetmarine.com

ST.LUCIA

Island Water World

Gros-Islet, Rodney Bay Marina,
Saint Lucia
Tel: 758.452.1222
Fax: 758.452.4333
Email:iwwsl.ltd@candw.lc

ST.MAARTEN

Budget Marine St.Maarten

Waterfront Road 25B
P.O. Box 434 - Philipsburg
Cole Bay, St. Maarten
Nederlandse Antillen

Island Water World Cole Bay

Wellsburg St, Cole Bay, Sint Maarten
Netherlands Antilles
Tel: 721.544.5310
Fax: 721.544.3299
Email:sales@islandwaterworld.com

Island Water World

Bobby's Marina,
Philipsburg, Sint Maarten
Netherlands Antilles
Tel: 721.543.7119
Tel/Fax: 721.542.2675

VIRGIN ISLANDS

Budget Marine St. Thomas

6198 Estate Frydenhoj
St. Thomas, VI 00802
U.S. Virgin Islands
T: 340-779-2219
F: 340-714-0466
www.budgetmarine.com

BRITISH VIRGIN ISLANDS

Budget Marine Tortola

PO Box 281
Road Town, Tortola
British Virgin Islands
T: 284-494-2512 ext. 2335
T: 284-494-6588 direct
F: 284-494-0792
www.budgetmarine.com

TRINIDAD & TOBAGO

Budget Marine Trinidad

Western Main Road
Chaguaramas
Trinidad and Tobago
T: 868-634-2006
F: 868-634-4382
www.budgetmarine.com

FAR EAST

JAPAN

Industrial Supplies Co. Ltd.

SA, NAC Minato Building 2F,
2-1-24 Kaigan
Minato-ku, Tokyo, 105-0022
Tel: +81 354438231
Fax: +81 3544 38240
Email: sales@isco.co.jp
www.isco.co.jp

Yuukou Marine 13229-17 Kitagishima

Kashaoka-shi
Okayama 714-0301
Japan
+81 856 68 2121
info@yuukoumarine.jp
http://www.yuukoumarine.jp

SINGAPORE Marine International

388 East Coast Road
Singapore 428990
Tel: +65 64473004
Fax: +65 64474110
Email: marintl@singnet.com.sg
www.marine-intl.com.sg

THAILAND

East Marine Co., Ltd.

23/159 Moo 2, Kohkaew,
Muang, Phuket 83000
Thailand
T: +66 76 239113
Email sales@eastmarineasia.com
www.eastmarineasia.com

HONG KONG

Storm Force Marine

1901 Dominion Centre
42-59 Queens Road East
Wanchai
Hong Kong
T +852 2866 0114
F +852 2866 9260
sales@stormforcemarine.com
www.stormforcemarine.com

MALAYSIA

Marine Supplies Asia

Lot 6055 Taman Arena
Kerupang 2
Labuan 87000
Malaysia
+60 1437 400 53
Sales@MarineSuppliesAsia.com
www.marinesuppliesasia.com

PACIFIC

AUSTRALIA

Bob Littler Agencies Pty Ltd.

BLA Head Office

131 Rivergate Place
Mararrie, Queensland, 4172
Tel: 1300 252 725
Fax: 1300 252 329
Email: sales@bla.com.au
Web: www.bla.com.au

Western Australia Office

20 Cocos Drive,
Bibra Lake, WA 6163
Tel: (08) 9412 0300
Fax: (08) 9412 0399
Email: sales@bla.com.au
Web: www.bla.com.au

Victoria Office

395-397 Lower Dandenong Road,
Dingley, VIC 3172
Tel: (03) 8558 0900
Fax: (03) 8558 0999
Email: sales@bla.com.au
Web: www.bla.com.au

NEW CALEDONIA

Marine Corail Noumea

40 Rue de La, Republique, BP848
Noumea
Tel: +687 275848
Fax: +687 276843

NEW ZEALAND

Bob Littler Agencies Pty Ltd.

Unit 2, 76 Porana Road,
Glenfield, Auckland 0627
Tel: 0011 64 9442 1717
Fax: No: 0011 64 9 442 1718
Email: sales@bla.co.nz
Web: www.bla.com.au

TAHITI

Marine Corail Tahiti

BP40, Papeete
Tel: +689 428222
Fax: +689 429863

ABBREVIATIONS

A	Amps
ABYC	American Boat And Yacht Council (USA)
approx.	Approximately
AWG	American Wire Gauge
BMF	British Marine Federation
BSP	British Standard Pipe Thread
ft	Feet
g	Grams
ID	Inner Diameter
kg	Kilograms
lbs	Pounds
ltrs	Litres
ltrs/min	Litres per Minute
m	Metres
mins	Minutes
ml	Millilitres
mm	Millimetres
NMMA	National Marine Manufacturers' Association (USA)
NPT	National Pipe Thread (USA)
OD	Outer Diameter
oz	Ounces
psi	Pounds per Square Inch
US gals	US Gallons
US gals/ min	US Gallons per Minute
UV	Ultra Violet
V d.c.	Voltage (Direct Current)
"	Inches

ABBREVIATIONS - MATERIALS

ABS	Acrylonitrile-Butadiene-Styrene
ASA	Acrylonitrile Styrene Acrylate
PTFE	Polyester PolytetraFluoroEthylene-Filled Polyester
EPDM	Ethylene Propylene Diene Monomer
HDPE	High Density Polyethylene
MDPE	Medium Density Polyethylene
PBT	Polybutylene Terephthalate
PC	Polyoxymethylene
POM	Polyoxymethylene
PVC	Polyvinyl Chloride
uPVC	Unplasticised Polyvinyl Chloride

Disclaimer

Any performance / specification figures shown have been calculated using standard testing procedures. Where maximum output is stated, such maximum output refers to pumps acting at zero lift and zero head. Actual performance may vary depending on the application, installation and environmental factors. Neither the accuracy nor completeness of the information contained in this or any Product brochure is guaranteed by the Company and may be subject to change at its sole discretion. The Company may, at its sole discretion, change the technical performance, dimensions or appearance of any of its Products without prior notification to purchasers. The Company shall not be liable to a purchaser for any indirect or consequential loss or damage (whether for loss of profit, loss of business, depletion of goodwill or otherwise), costs, expenses or other claims for consequential compensation whatsoever (howsoever caused) which arise out of or in connection with the use of a Product. Where dimensions are stated, such dimensions are for guidance only. Inch measurements are conversions from millimetre dimensions and are shown to the nearest 1/16". US gallons volumes are conversions from litres and are also shown for guidance purposes only to the nearest 1/16. Please contact the Company directly if precise measurements are required.

Please note: All products shown in this brochure are designed for use in marine vessels and are not suitable for installation in domestic applications.

Please note: All Whale electrical products must be installed and serviced by a qualified electrical engineer in accordance with the Whale appliance installation and operating instructions and appropriate electrical regulations and certifications.

©Copyright Whale 2017 - All rights reserved. Reproduction in whole or in part without permission is prohibited.

WHALE® is a registered trademark of Munster Simms Engineering Limited, Bangor, Northern Ireland trading as Whale. Whale's policy is one of continuous improvement and we reserve the right to change specifications without prior notice. Illustrations are for guidance purposes only. Neither the accuracy nor completeness of the information contained in this or any Product brochure is guaranteed by the Company and may be subject to change at its sole discretion.

Please note that by contacting Whale Support you will be indicating your consent to receiving product updates, recall information, help guides and appropriate marketing messages from us via post, email or telephone unless you indicated an objection to receiving such messages.

Santoprene® is a registered trade name of Advanced Elastomer Systems, LP, an Exxonmobil Chemical Affiliate
Delrin®, Teflon® and Neoprene are registered trade names of Dupont Neumeurs and Co.
Monprene® is a registered trade name of Technore Apex

Munster Simms Engineering Ltd, 2 Enterprise Road, Bangor, Co Down
N.Ireland BT19 7TA Tel: +44 (0)28 9127 0531
Web: www.whalepumps.com Email info@whalepumps.com



Whale - Support

tel: +44 (0) 28 9127 0531

info@whalepumps.com

whalepumps.com

Whale - Support (The Americas)

tel: 1 (616) 897 9241

usasales@whalepumps.com

whalepumps.com

Call us directly for product and installation advice

visit us at - www.whalepumps.com





whalepumps.com

Ref:cmcc_cok_180.94_v12_0817